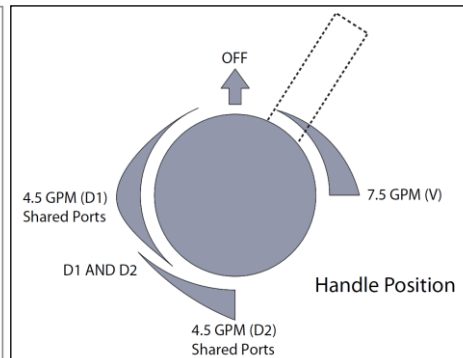
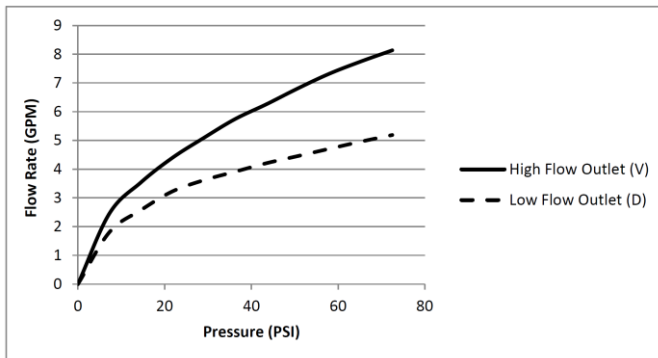
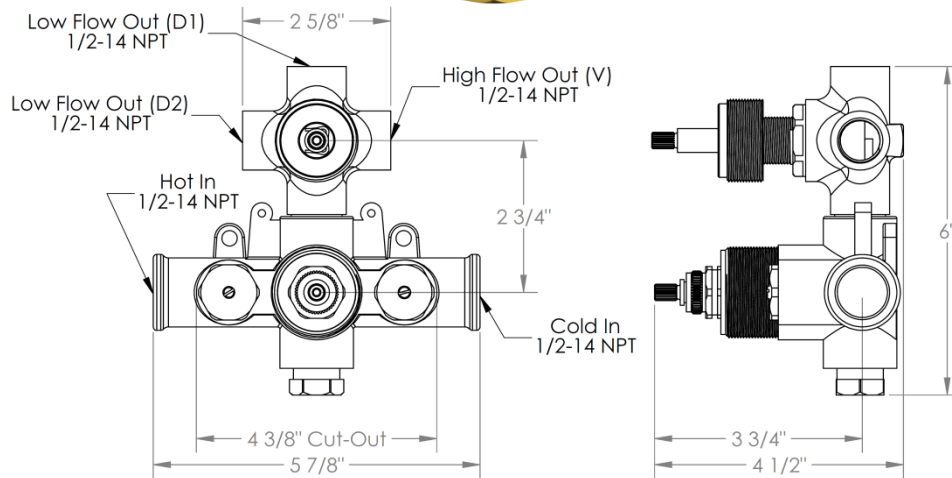


# SS-THVD3

1/2" Thermostatic Valve with Volume Control and 3-Way Diverter



Meets the applicable requirements of ASME A112.18.1-2005/CSA B125.1-05, entitled "Plumbing Supply Fittings"