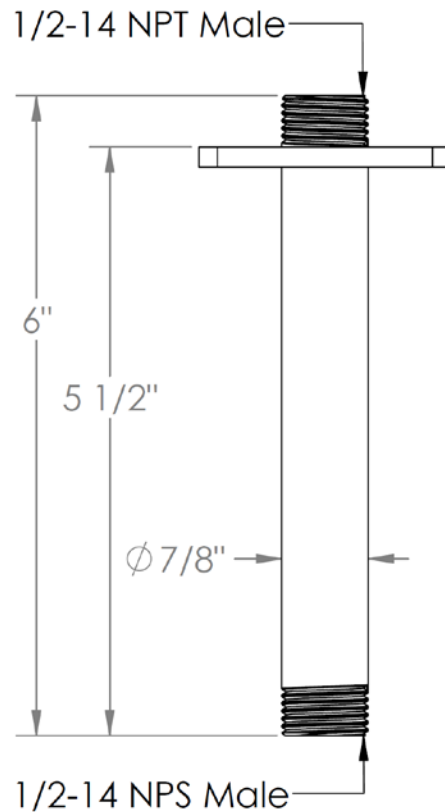
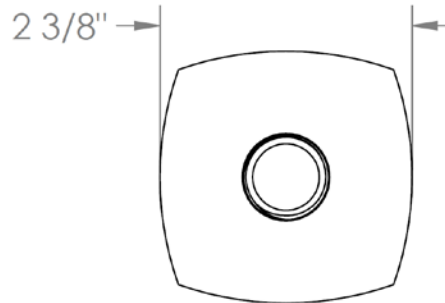
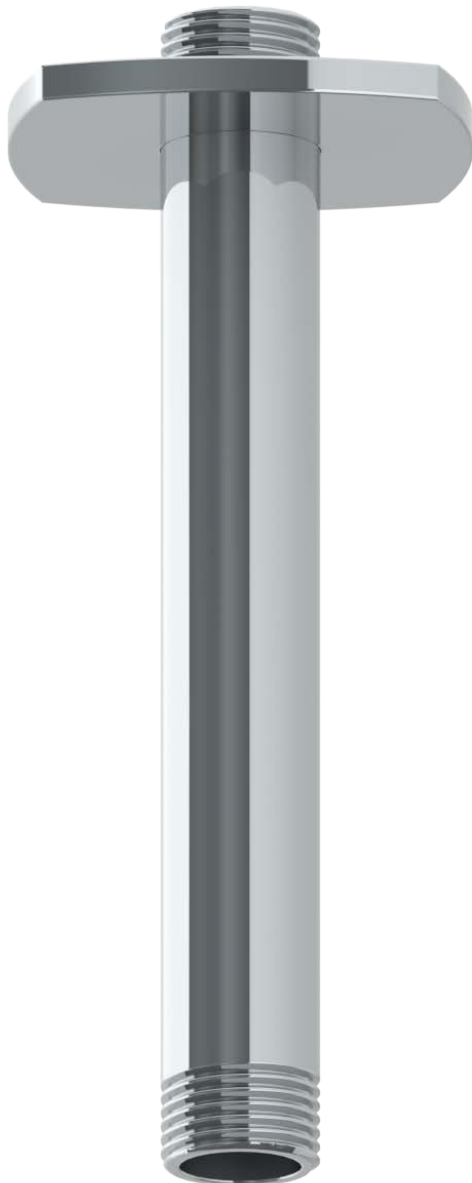


SS-603HLAF

H-Line Shower Arm and Flange

Connection Types: 1/2" Male NPS x 1/2" Male NPT



Meets the applicable requirements of ASME A112.18.1-2005/CSA B125.1-05, entitled "Plumbing Supply Fittings"

WATERMARK DESIGNS 4/30/2018

350 Dewitt Ave Brooklyn NY 11207 USA T 718 257 2800 F 718 257 2144 info@watermark-designs.com