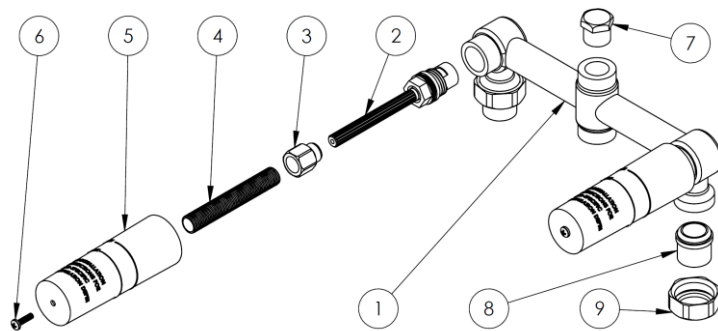
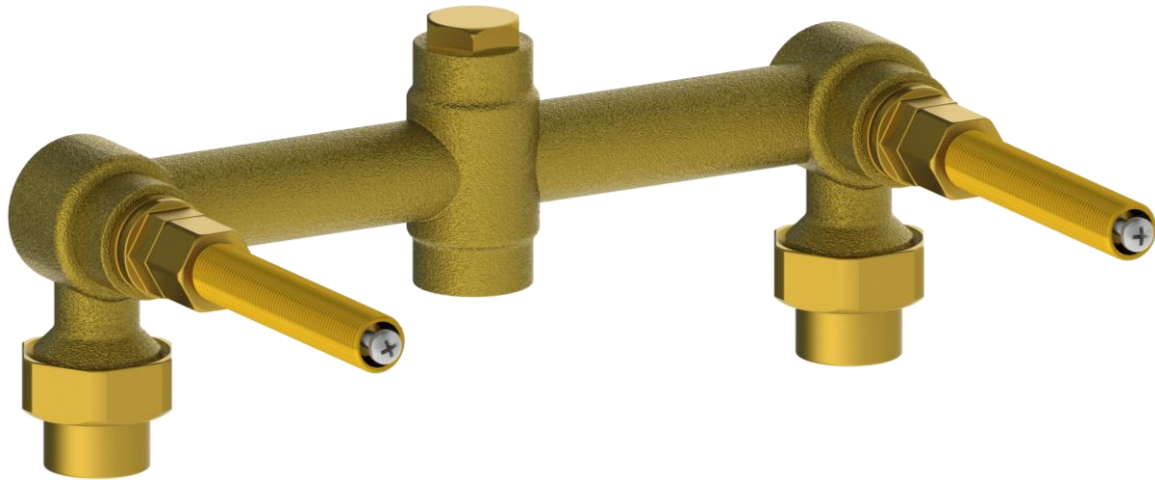


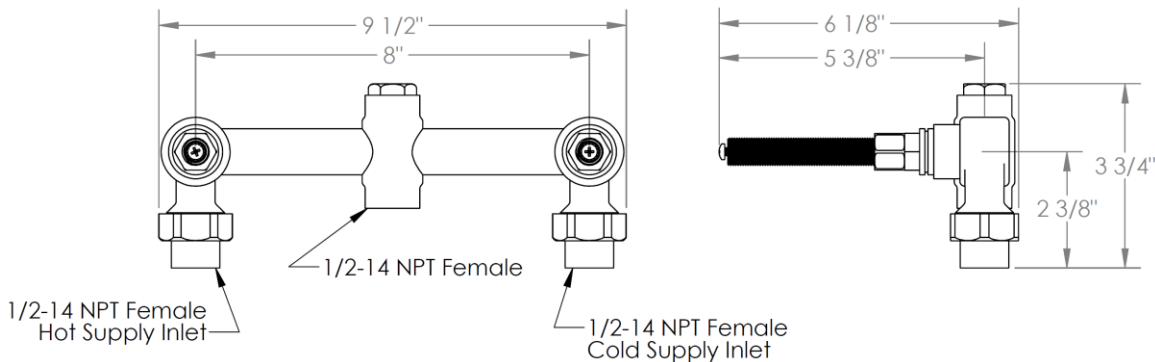
SS-506

2-Valve Shower Rough

Note: Not for tub/shower applications



| ITEM NO. | PART NUMBER | QTY. |
|----------|--------------------------------|------|
| 1 | SS-506-BODY-JETWIN | 1 |
| 2 | CRT503 Cold/Hot | 2 |
| 3 | TENSION ADJUSTMENT NUT | 2 |
| 4 | SS-506-INLET-INSERT | 2 |
| 5 | SS-506-NPT-PLUG | 1 |
| 6 | SS-TS200-NPPL | 2 |
| 7 | SS-THV2.2-26C-NUT | 2 |
| 8 | WALL-VLV-MDGRD | 2 |
| 9 | CR-PHMS 0.164-32x0.625x0.625-S | 2 |



Meets the applicable requirements of ASME A112.18.1-2005/CSA B125.1-05, entitled "Plumbing Supply Fittings"

WATERMARK DESIGNS 4/30/2019