

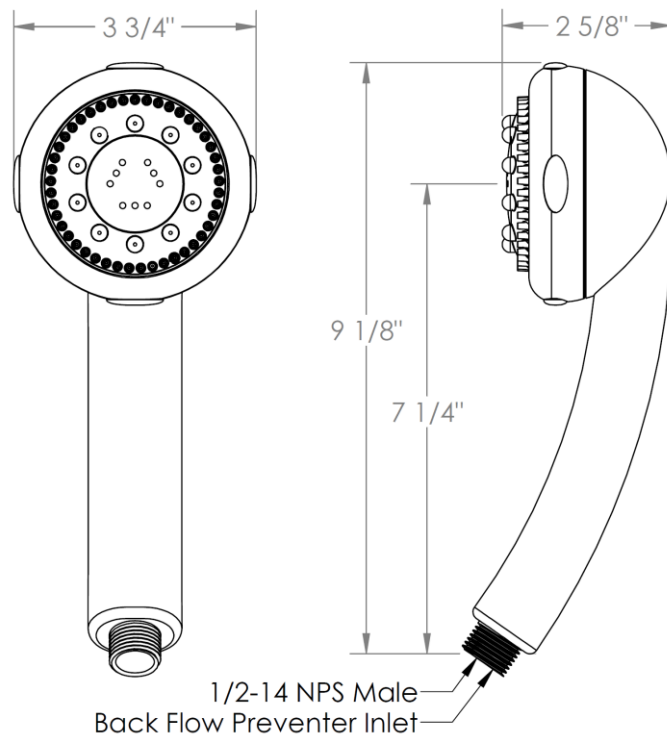
SH-RMN30

3 Function Antiscale Hand Shower

Features Include Mist, Rain and Spray Patterns

Connection Type: 1/2" Male Supply

Flow Rate: 1.75 GPM



Meets the applicable requirements of ASME A112.18.1-2005/CSA B125.1-05, entitled "Plumbing Supply Fittings"

WATERMARK DESIGNS 9/4/2018