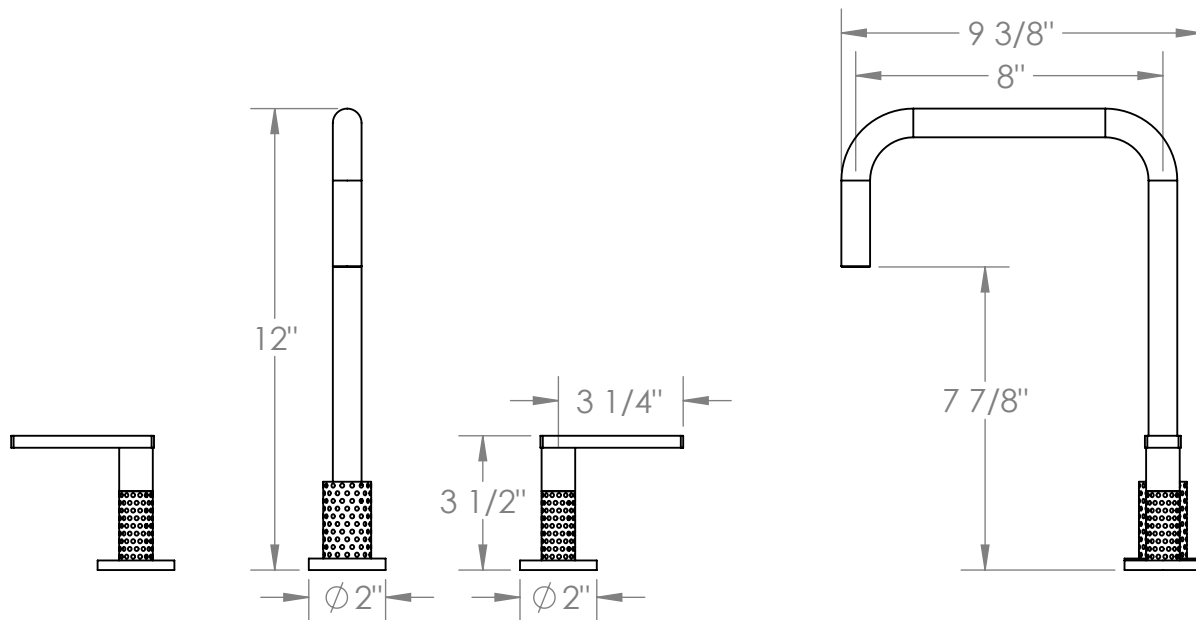


71-7-LLP5

Deck Mounted 3 Hole Kitchen Set
Flow Rate: 1.75 GPM



Meets the applicable requirements of ASME A112.18.1-2005/CSA B125.1-05, entitled "Plumbing Supply Fittings"