

38-3.91FLT.1-EV4

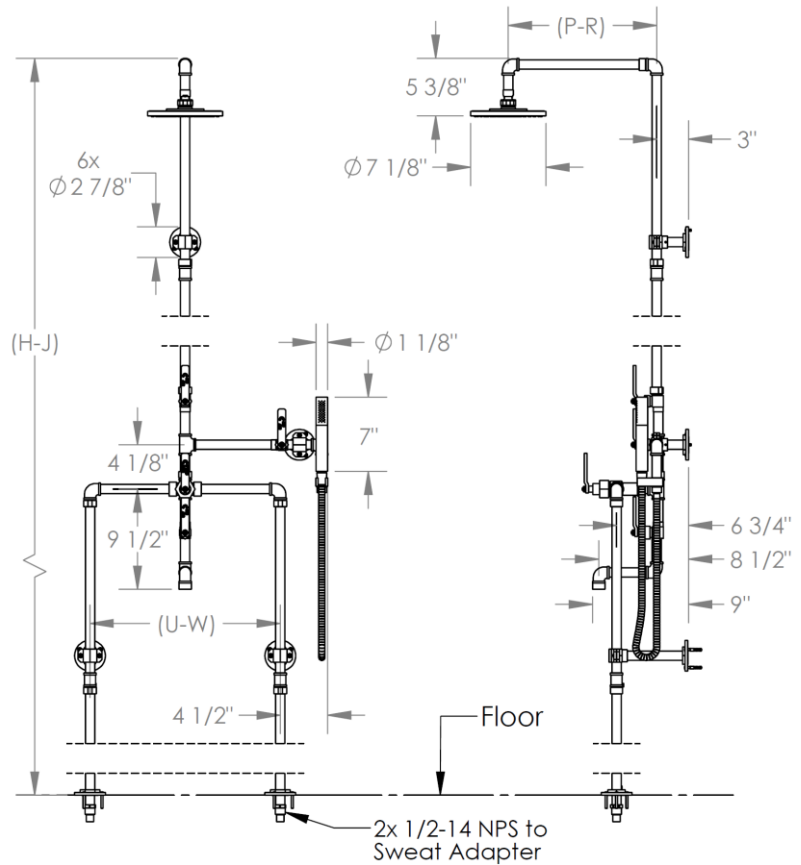
Floor Mounted Exposed Thermostatic Tub / Shower with Hand Shower Set and Diverter
 Shower / Hand Shower Flow Rate: 1.75 GPM

California Green Compliant

Note: Please specify (H-J, P-R, U-W)



HEIGHT	PROJECTION	MOUNT SPREAD
H = 84"	P = 14"	U = 8"
I = 90"	Q = 16"	V = 12"
J = 96"	R = 18"	W = 18"



Meets the applicable requirements of ASME A112.18.1-2005/CSA B125.1-05, entitled "Plumbing Supply Fittings"