

38-3.91FL- - - -EV4

Floor Mounted Exposed Tub and Shower Set with Hand Shower

Shower/Hand Shower Flow Rate: 1.75 GPM

Note: Please specify (H-J, O-R, U-W)

Note: Some building codes may require remote pressure balance valves for anti-scald



Meets the applicable requirements of ASME A112.18.1-2005/CSA B125.1-05, entitled "Plumbing Supply Fittings"

WATERMARK DESIGNS

7/12/2018

350 Dewitt Ave Brooklyn NY 11207 USA T 718 257 2800 F 718 257 2144 info@watermark-designs.com

38-3.91FL- - - -EV4

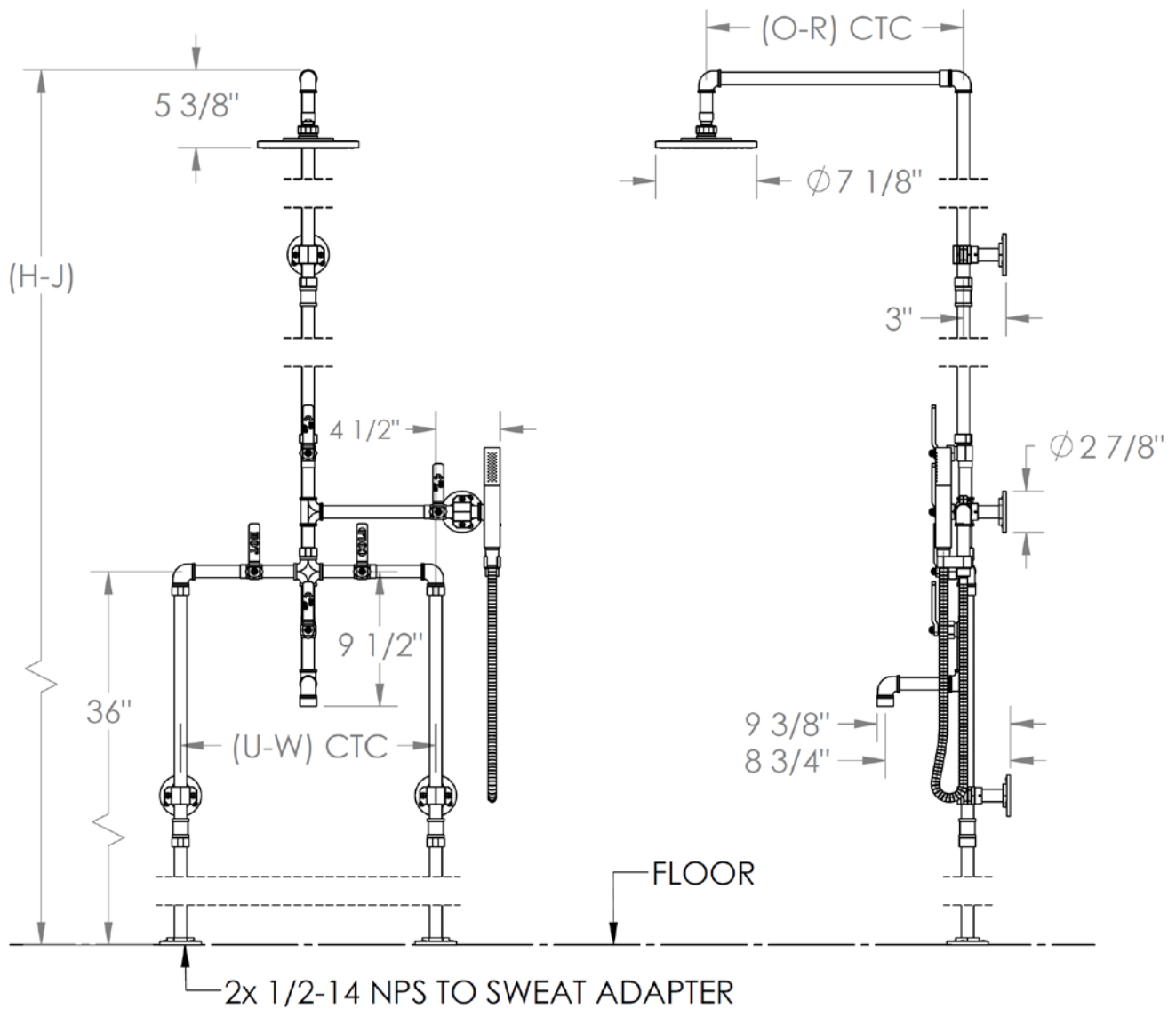
Floor Mounted Exposed Tub and Shower Set with Hand Shower

Shower/Hand Shower Flow Rate: 1.75 GPM

Note: Please specify (H-J, O-R, U-W)

Note: Some building codes may require remote pressure balance valves for anti-scald

| HEIGHT | PROJECTION | MOUNT SPREAD |
|---------|------------|--------------|
| H = 84" | O = 12" | U = 8" |
| I = 90" | P = 14" | V = 12" |
| J = 96" | Q = 16" | W = 18" |
| ----- | R = 18" | ----- |



Meets the applicable requirements of ASME A112.18.1-2005/CSA B125.1-05, entitled "Plumbing Supply Fittings"