

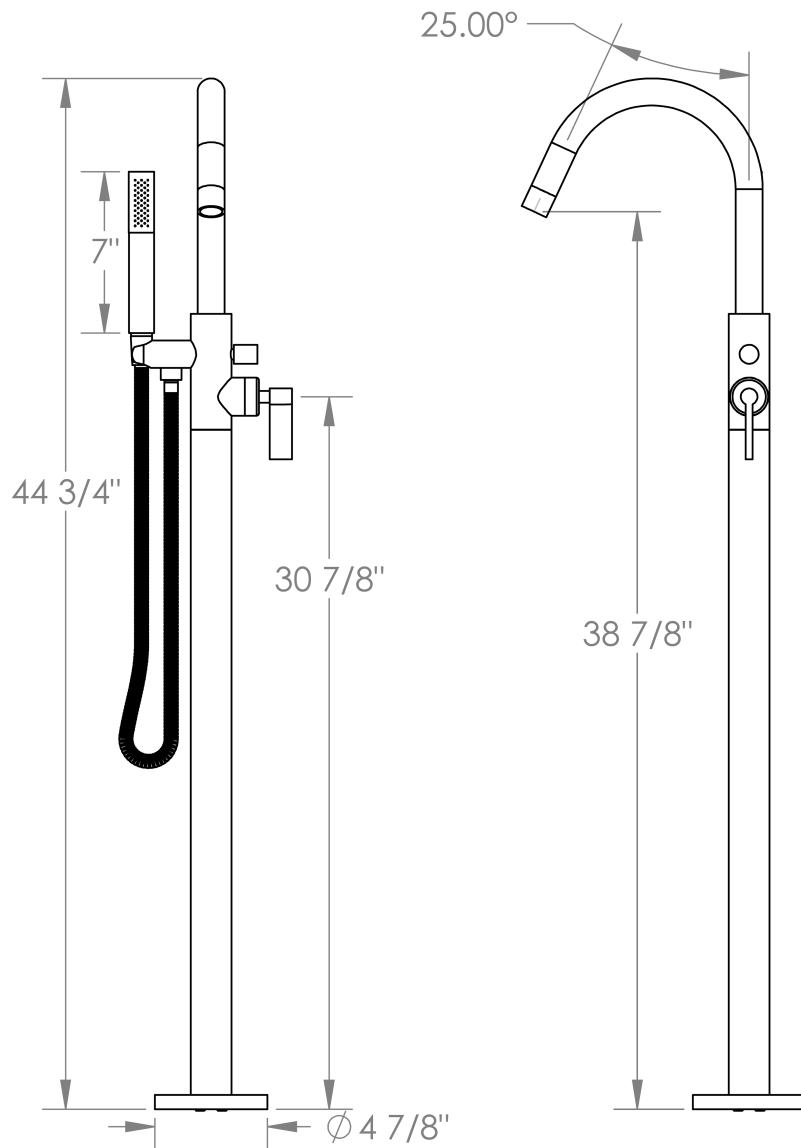
37-8.8G-BL2

Floor mounted tub filler with hand shower

Hand Shower Flow Rate: 2.0 GPM

Requires floor mount valve SS-248.8-FLR-RGH

Note: Some building codes may require a remote pressure balancing valve, such as the SS-PB50.



Meets the applicable requirements of ASME A112.18.1-2005/CSA B125.1-05, entitled "Plumbing Supply Fittings"

WATERMARK DESIGNS 1/16/2018

350 Dewitt Avenue Brooklyn NY 11207 USA T 718 257 2800 F 718 257 2144 info@watermark-designs.com