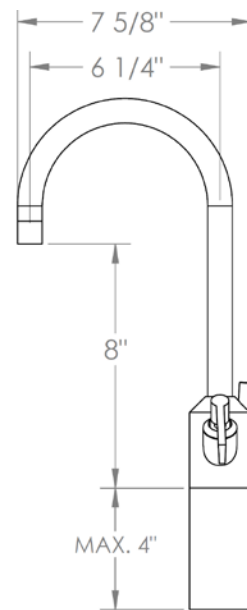
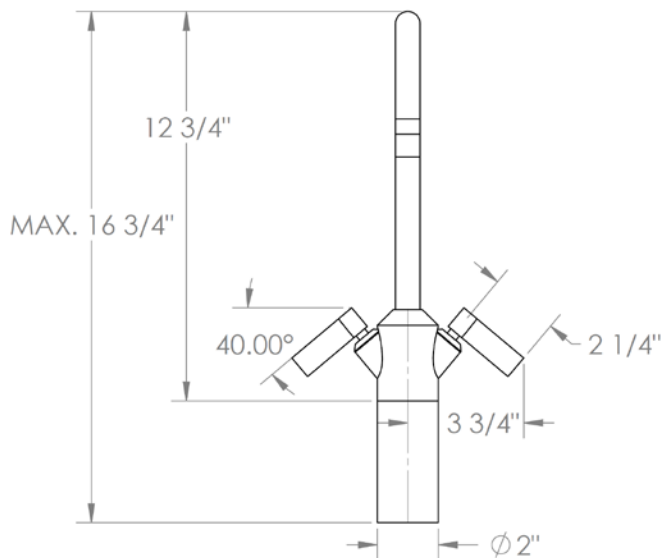


37-1X-BL2

Deck Mounted 2 Handle Monoblock
Specify up to 4" spout extension when ordering
Includes MPU7 Pop-Up Drain
Flow Rate: 1.2 GPM



Meets the applicable requirements of ASME A112.18.1-2005/CSA B125.1-05, entitled "Plumbing Supply Fittings"

WATERMARK DESIGNS 3/5/2018