

**321-EX7500-S1**

Wall Mounted Exposed Thermostatic Tub and Shower Set

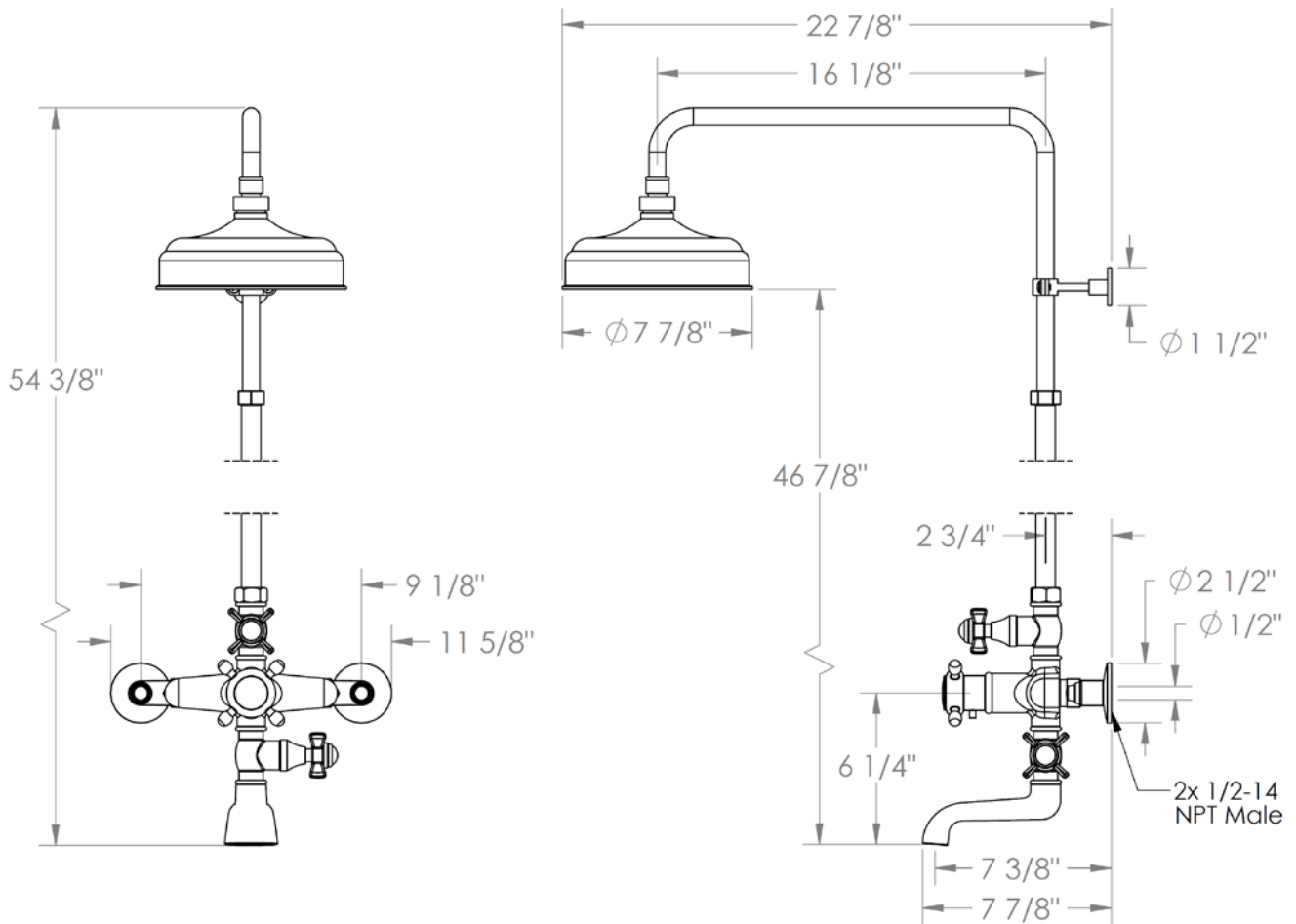
Shower Flow Rate: 1.75 GPM



Meets the applicable requirements of ASME A112.18.1-2005/CSA B125.1-05, entitled "Plumbing Supply Fittings"

**321-EX7500-S1**

Wall Mounted Exposed Thermostatic Tub and Shower Set  
Shower Flow Rate: 1.75 GPM



Meets the applicable requirements of ASME A112.18.1-2005/CSA B125.1-05, entitled "Plumbing Supply Fittings"