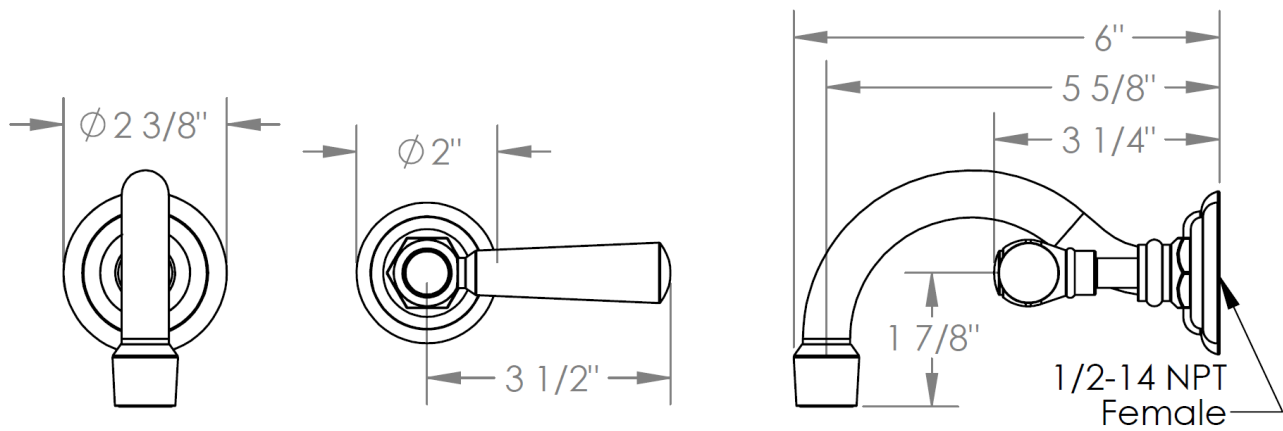


321-1.2S-S1A

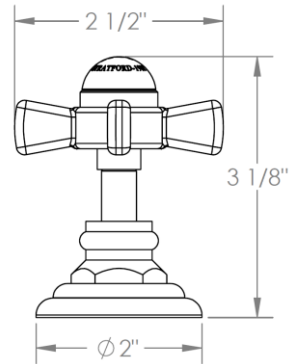
Wall Mounted 2 Hole Lavatory Set
For use with SS-SHV1.2 concealed rough
Flow Rate: 1.2 GPM



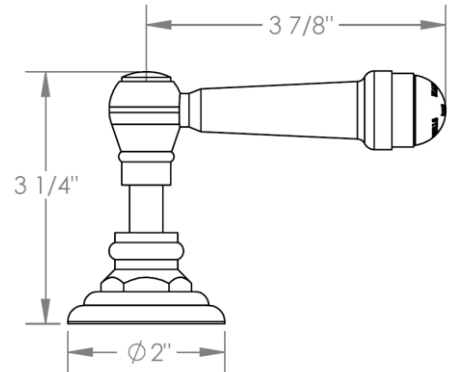
Meets the applicable requirements of ASME A112.18.1-2005/CSA B125.1-05, entitled "Plumbing Supply Fittings"

ADDITIONAL HANDLE OPTIONS

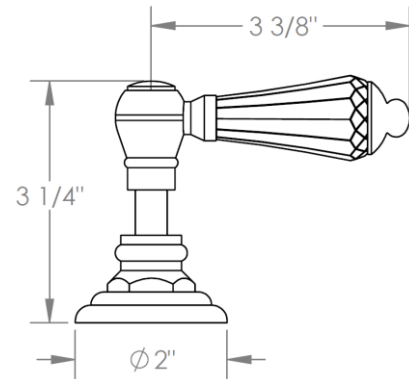
S1 - PRESTON



S2 - WALTHAM



SWA - DARIEN



V - WALES

