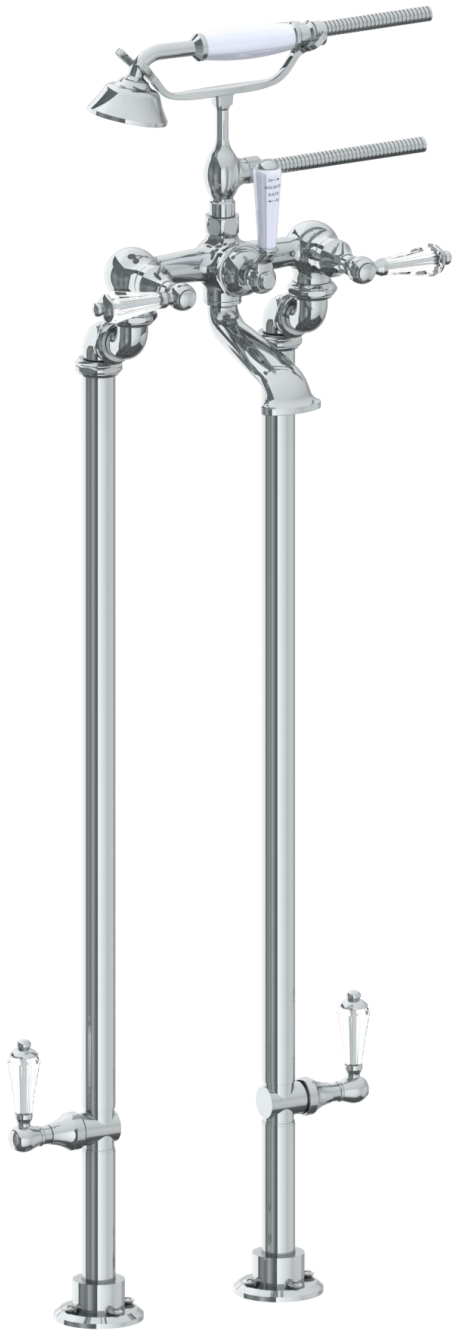


**313-8.3STP-\_\_**

Floor Standing Bath Set with Hand Shower and Shut-Off Valves

Hand Shower Flow Rate: 1.75 GPM

Note: Some building codes may require a remote pressure balance valve for anti-scald



Meets the applicable requirements of ASME A112.18.1-2005/CSA B125.1-05, entitled "Plumbing Supply Fittings"

**WATERMARK DESIGNS**

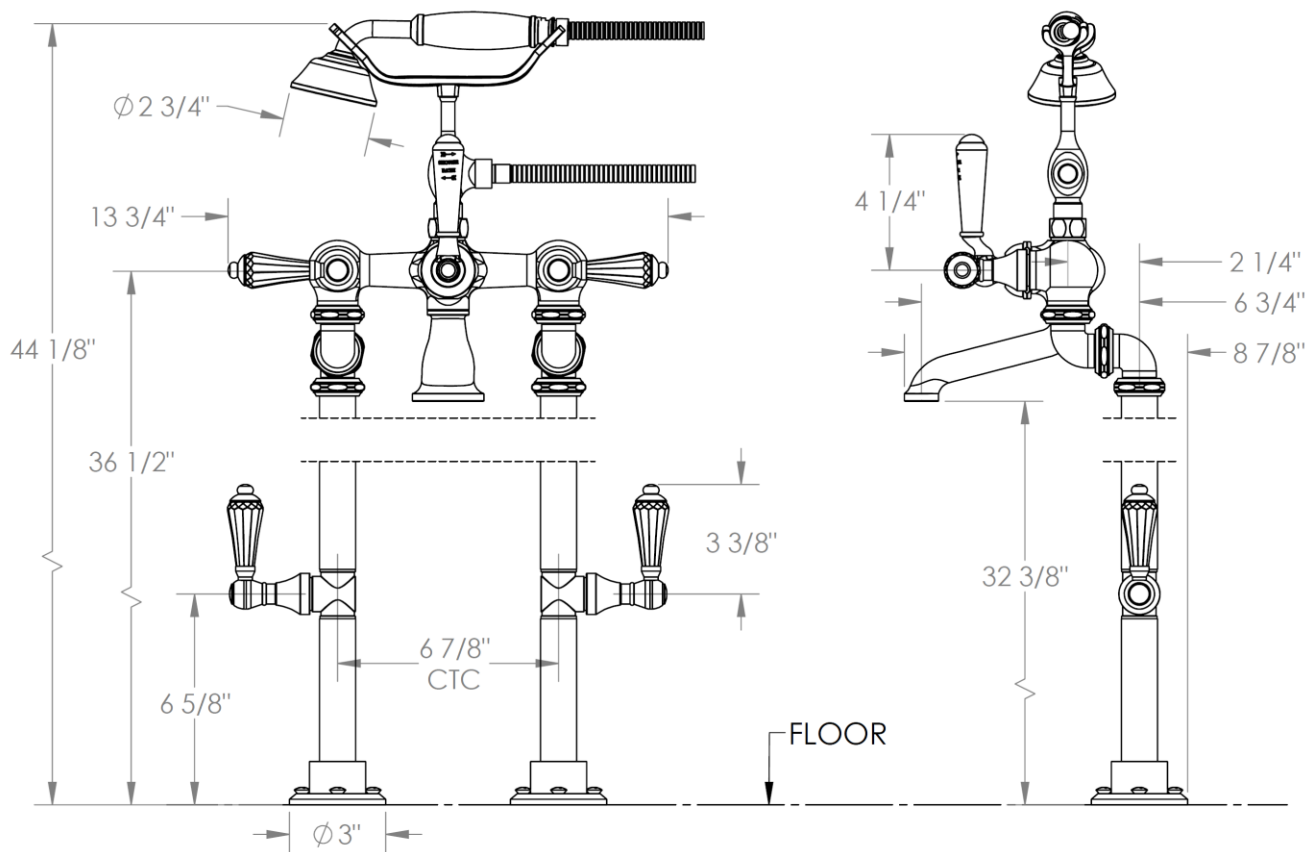
**1/9/2019**

**313-8.3STP-\_\_**

Floor Standing Bath Set with Hand Shower and Shut-Off Valves

Hand Shower Flow Rate: 1.75 GPM

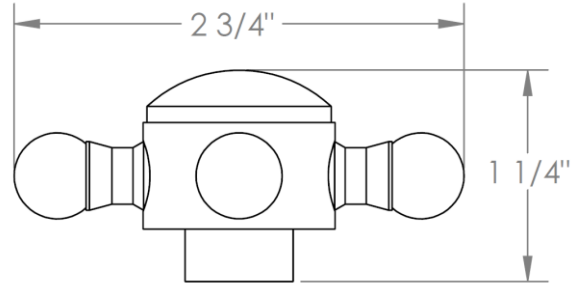
Note: Some building codes may require a remote pressure balance valve for anti-scald



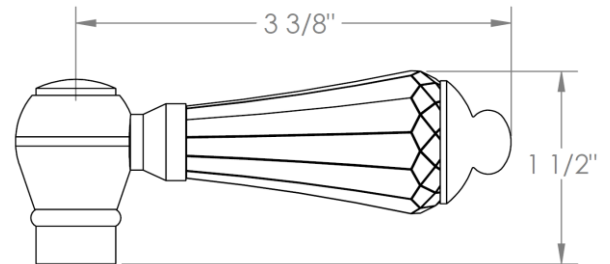
Meets the applicable requirements of ASME A112.18.1-2005/CSA B125.1-05, entitled "Plumbing Supply Fittings"

## HANDLE TRIM OPTIONS

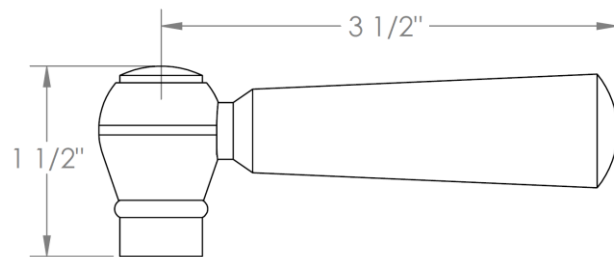
### AX – LOS ANGELES



### SW – SAN FRANCISCO



### WW – BOSTON



### Y2 – WILLIAMS

