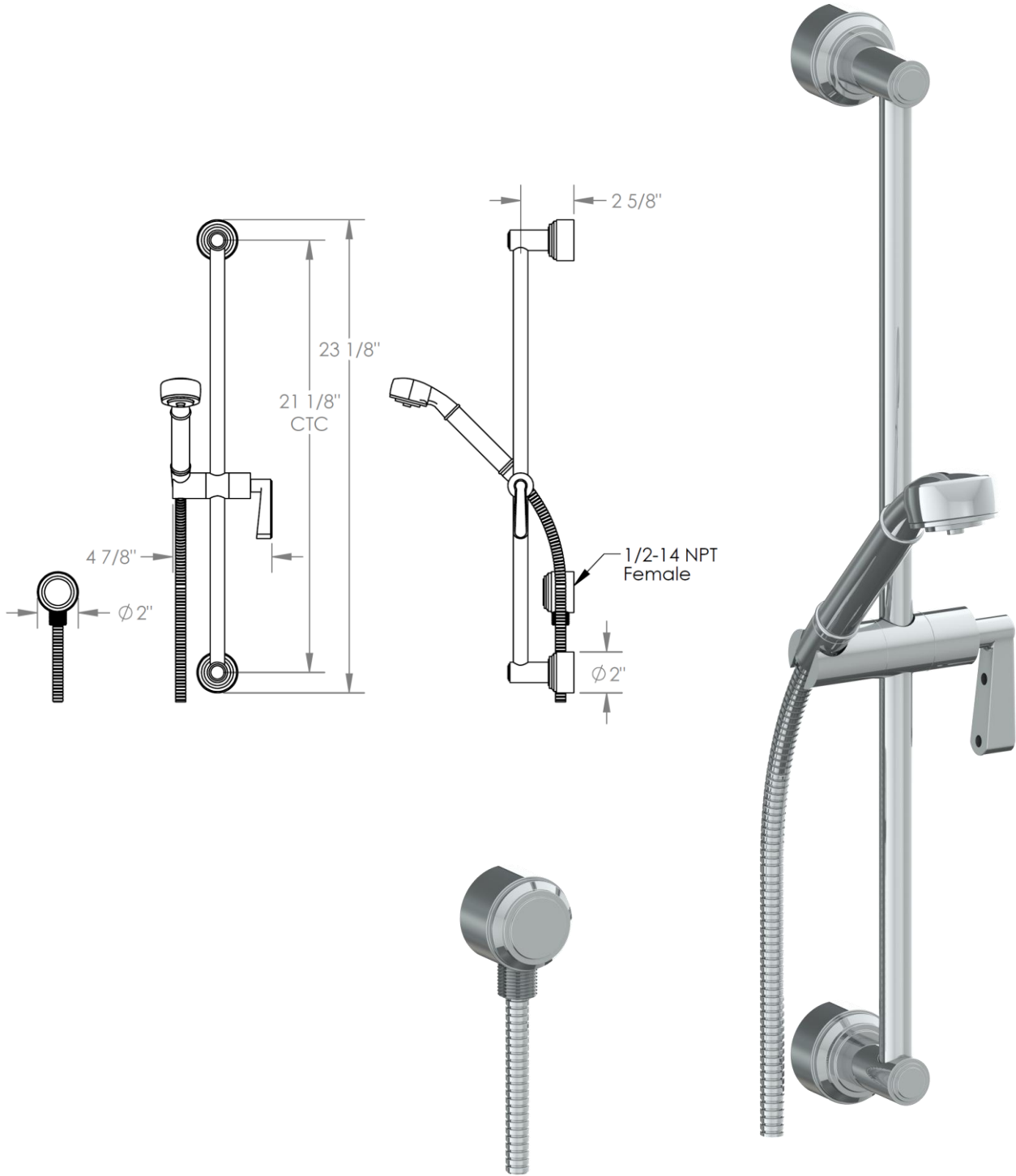


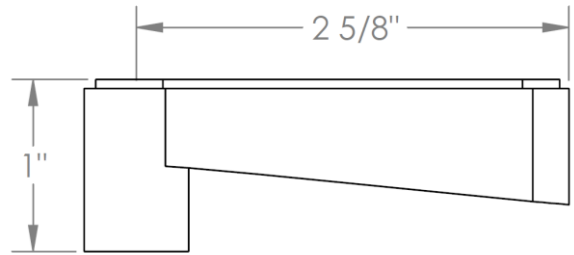
29-HSPB1-
Positioning Bar Shower Kit with Hand Shower and 69" Hose
Flow Rate: 1.75 GPM



Meets the applicable requirements of ASME A112.18.1-2005/CSA B125.1-05, entitled "Plumbing Supply Fittings"

HANDLE TRIM OPTIONS

TR14 – BEEKMAN



TR15 - GOTHAM

