

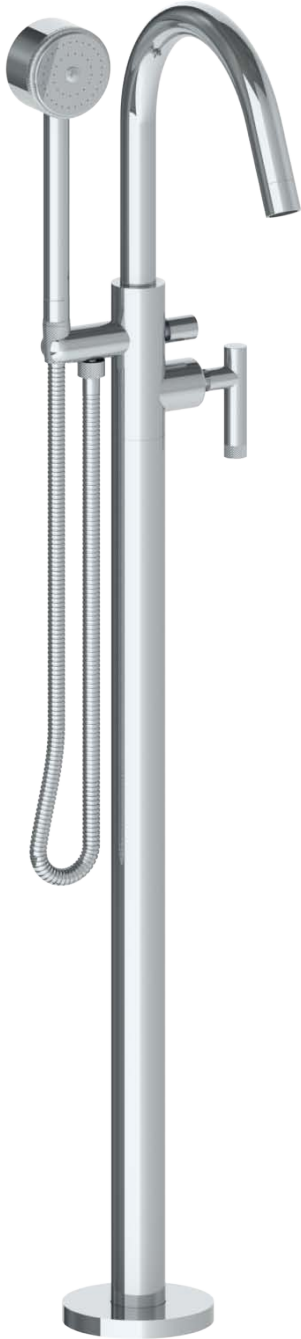
**25-8.8-IN14**

Floor Mounted Single Hole Bath Set with Hand Shower

For use with SS-248.8-FLR-RGH concealed floor rough

Hand Shower Flow Rate: 1.75 GPM

Note: Some building codes require remote pressure balance valves for anti-scald



Meets the applicable requirements of ASME A112.18.1-2005/CSA B125.1-05, entitled "Plumbing Supply Fittings"

**WATERMARK** DESIGNS

**6/8/2018**

350 Dewitt Ave Brooklyn NY 11207 USA T 718 257 2800 F 718 257 2144 info@watermark-designs.com

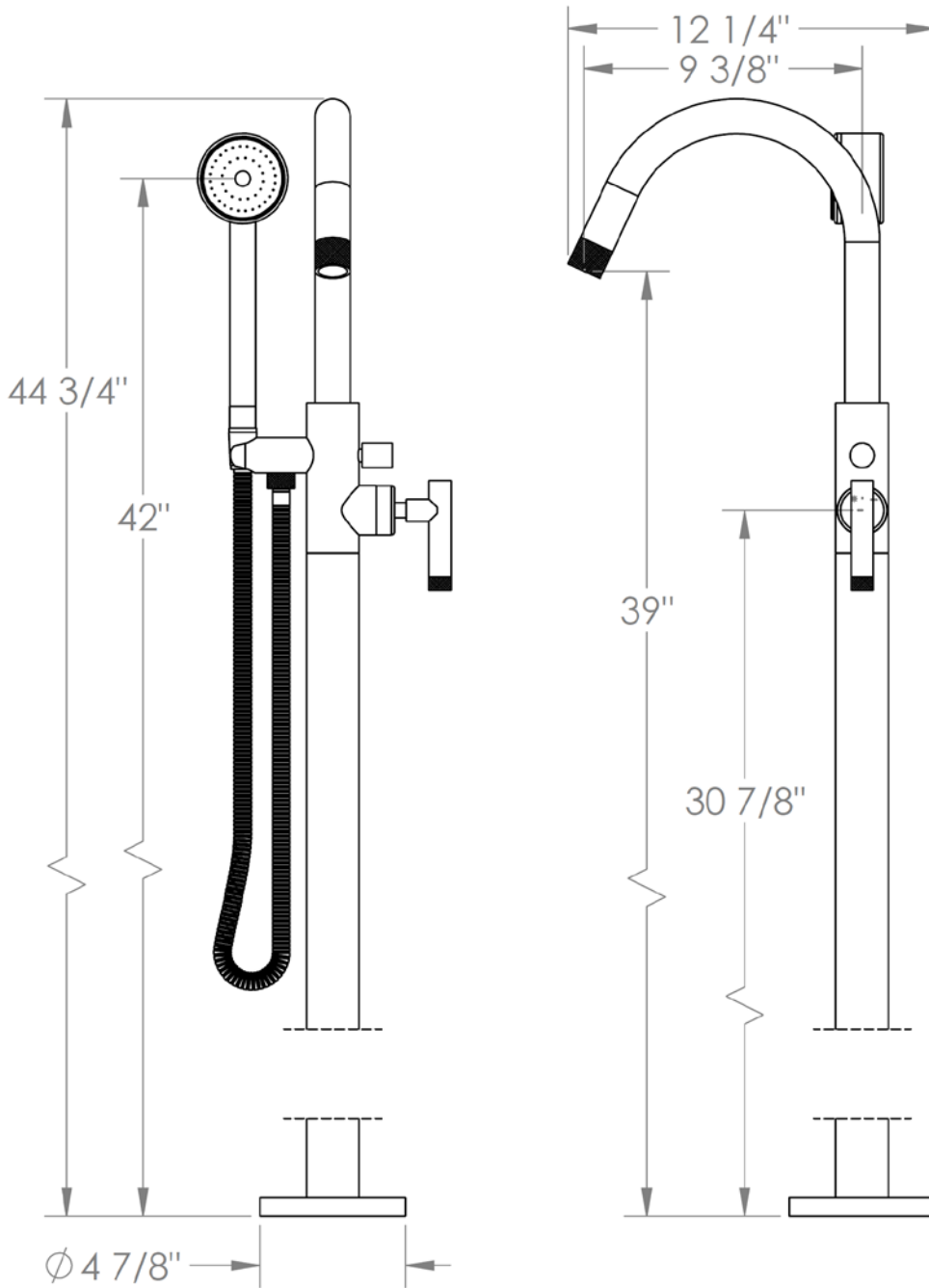
**25-8.8-IN14**

Floor Mounted Single Hole Bath Set with Hand Shower

For use with SS-248.8-FLR-RGH concealed floor rough

Hand Shower Flow Rate: 1.75 GPM

Note: Some building codes require remote pressure balance valves for anti-scald



Meets the applicable requirements of ASME A112.18.1-2005/CSA B125.1-05, entitled "Plumbing Supply Fittings"