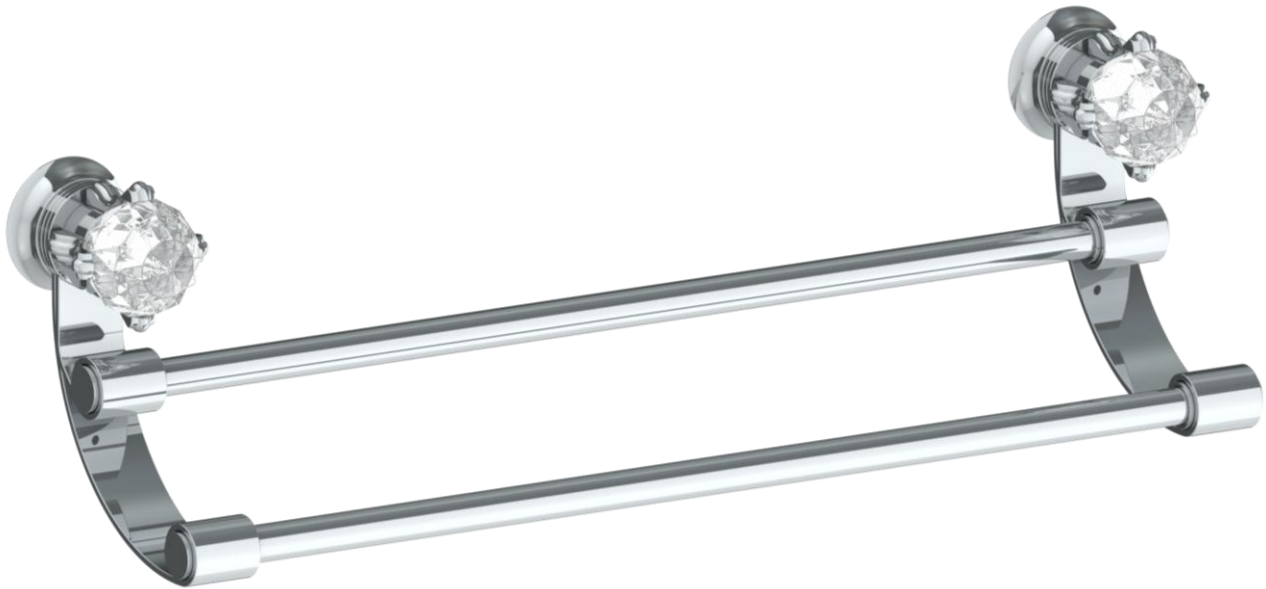
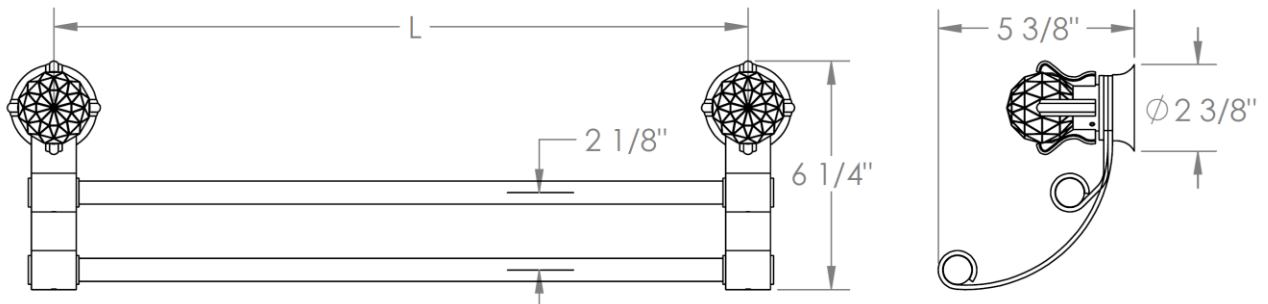


**201-0.2\_**

**Wall Mounted Double Towel Bar**



MODEL NO.	LENGTH L (CTC)
201-0.2	18"
201-0.2A	24"
205-0.2B	30"



**WATERMARK DESIGNS 11/20/2018**