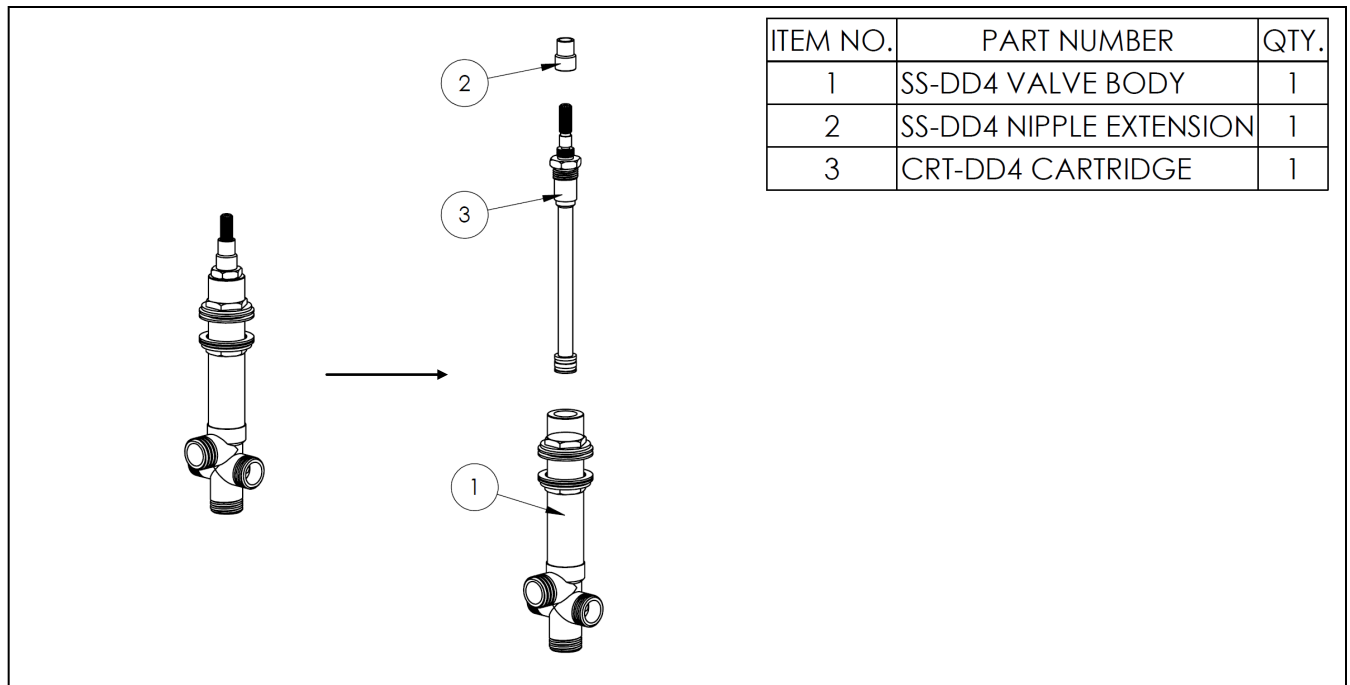


Cartridge Replacement Steps:

1. Ensure that both inlet lines into the valve have been shut off by turning all volume controls to the off position.
(NOTE: You may need to use the main shut-off valve in your home)
2. Remove all decorative trim to gain access to the top of the valve.
3. Unscrew the nipple extension (2) by hand from the valve assembly.
4. Unscrew the diverter cartridge using a 23mm socket wrench, or an adjustable wrench in a counter-clockwise direction.
5. Gently pull out the diverter cartridge from the valve body (1) and replace.
6. Reassemble the valve by reversing these instructions.
7. Turn water back on and test valve before re-installing decorative trim.



RETURN POLICY

All cartridges are shipped in a clear plastic bag, so you can examine it carefully upon receipt. If the part is not correct, you can return it for a full refund less freight as long as the bag is unopened. Once the bag is opened, the cartridge can only be returned for credit if deemed defective and is accompanied with original proof of purchase (not the replacement order.)

For technical support, please call 718-257-2800