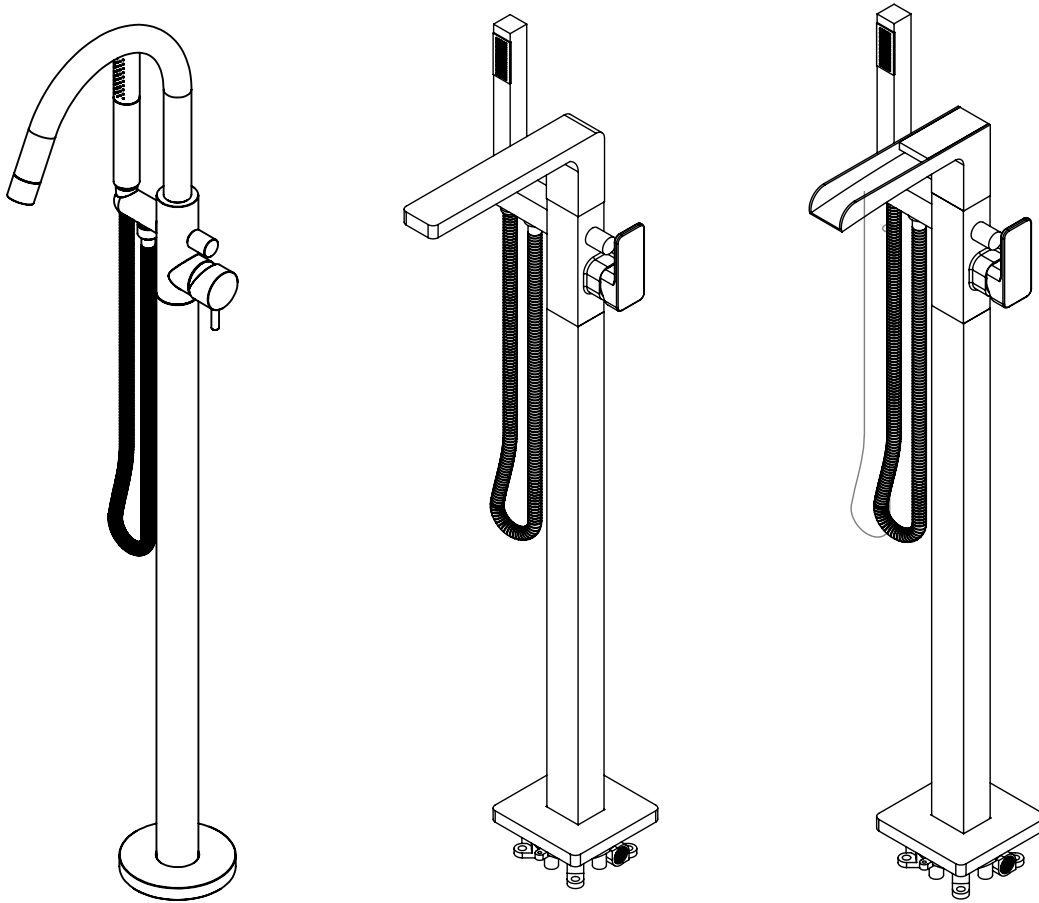


# WATERMARK

MADE IN BROOKLYN, NEW YORK

## INSTALLATION INSTRUCTION



Floor Mounted Bath/Shower Mixer

24-8.8/35-8.8/35-8.8WF



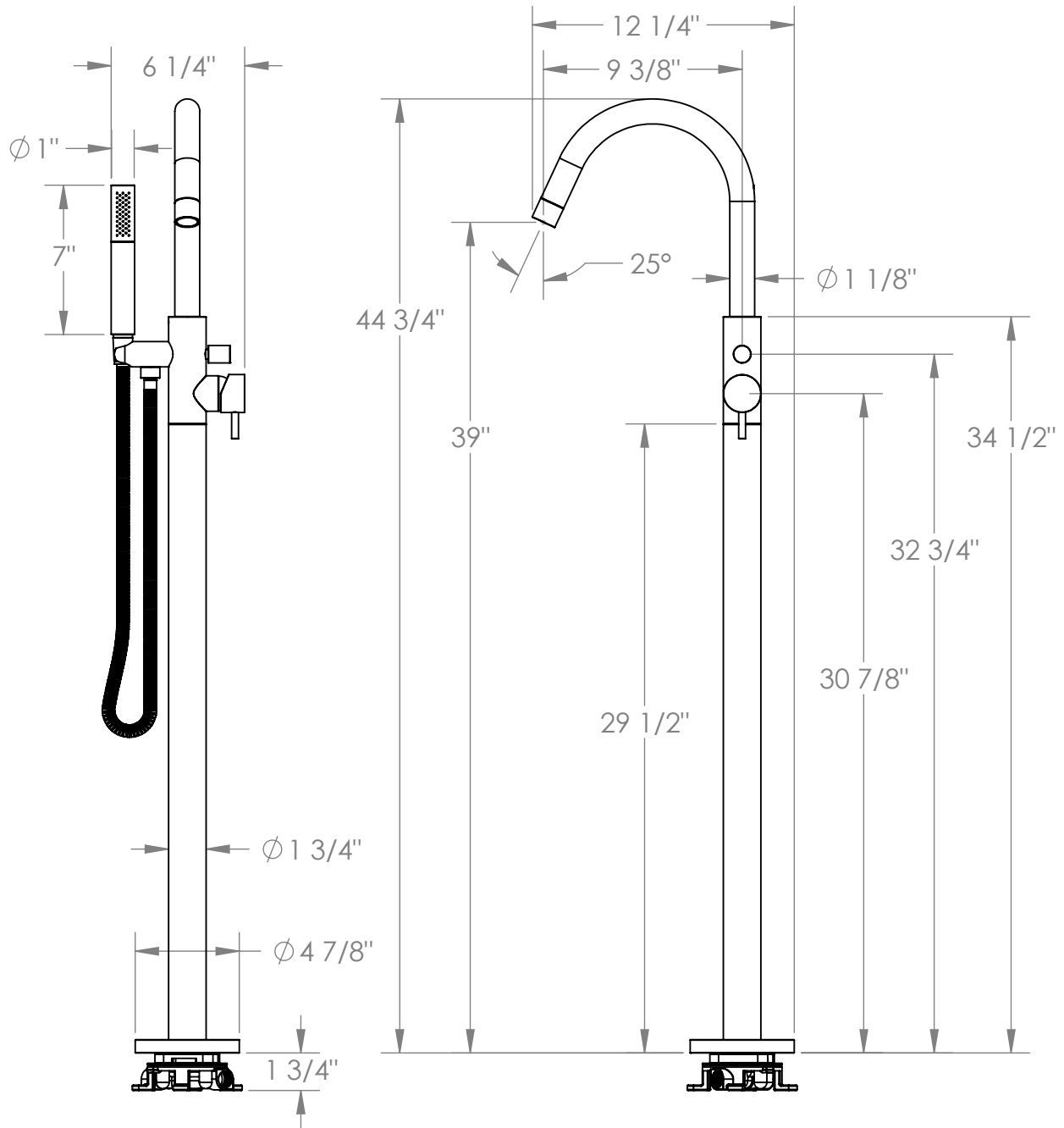
ASME A1 12.18.1

NSF61

CAS B125.1

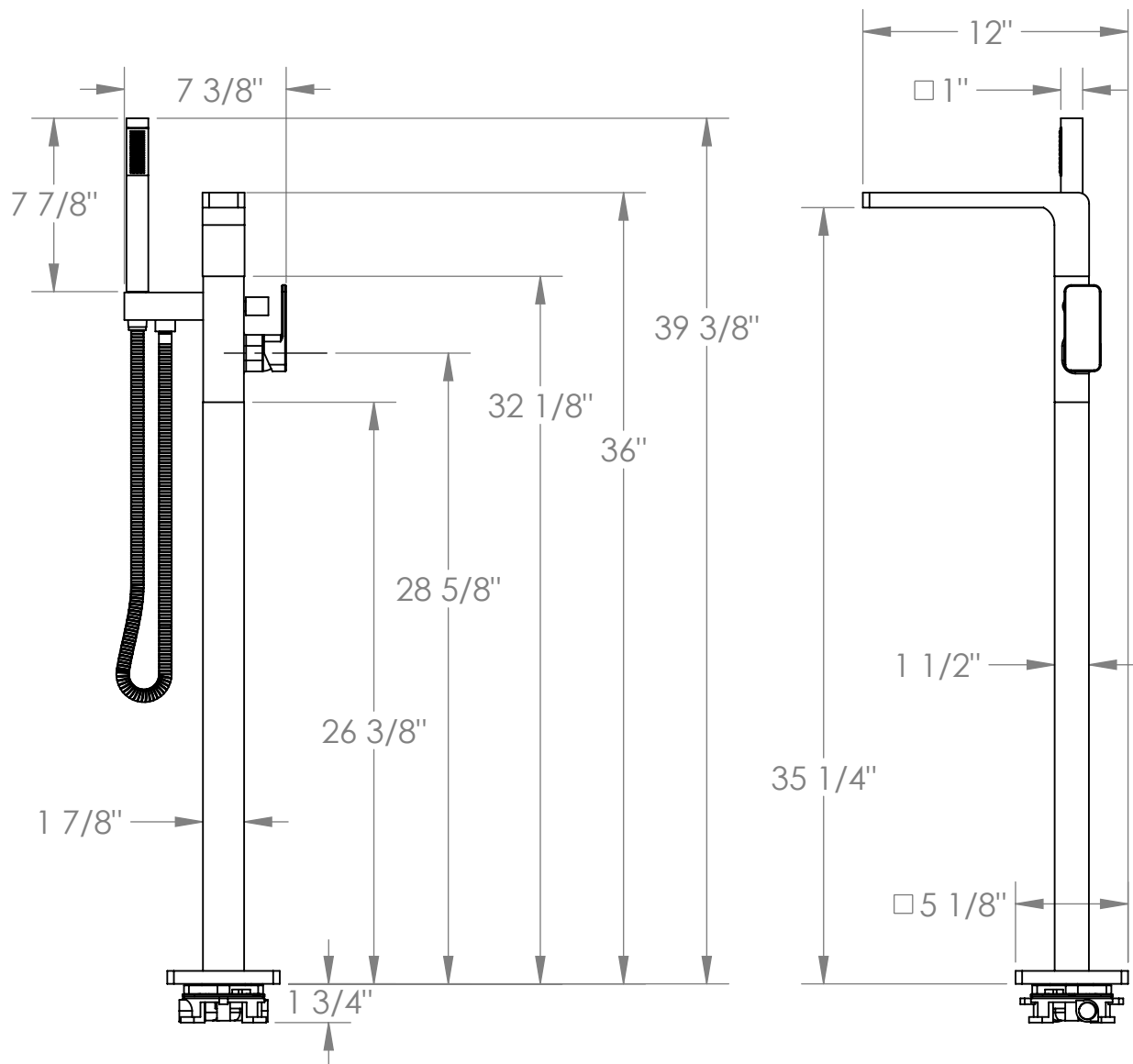
# ROUGH-IN DIMENSIONS

24-8.8



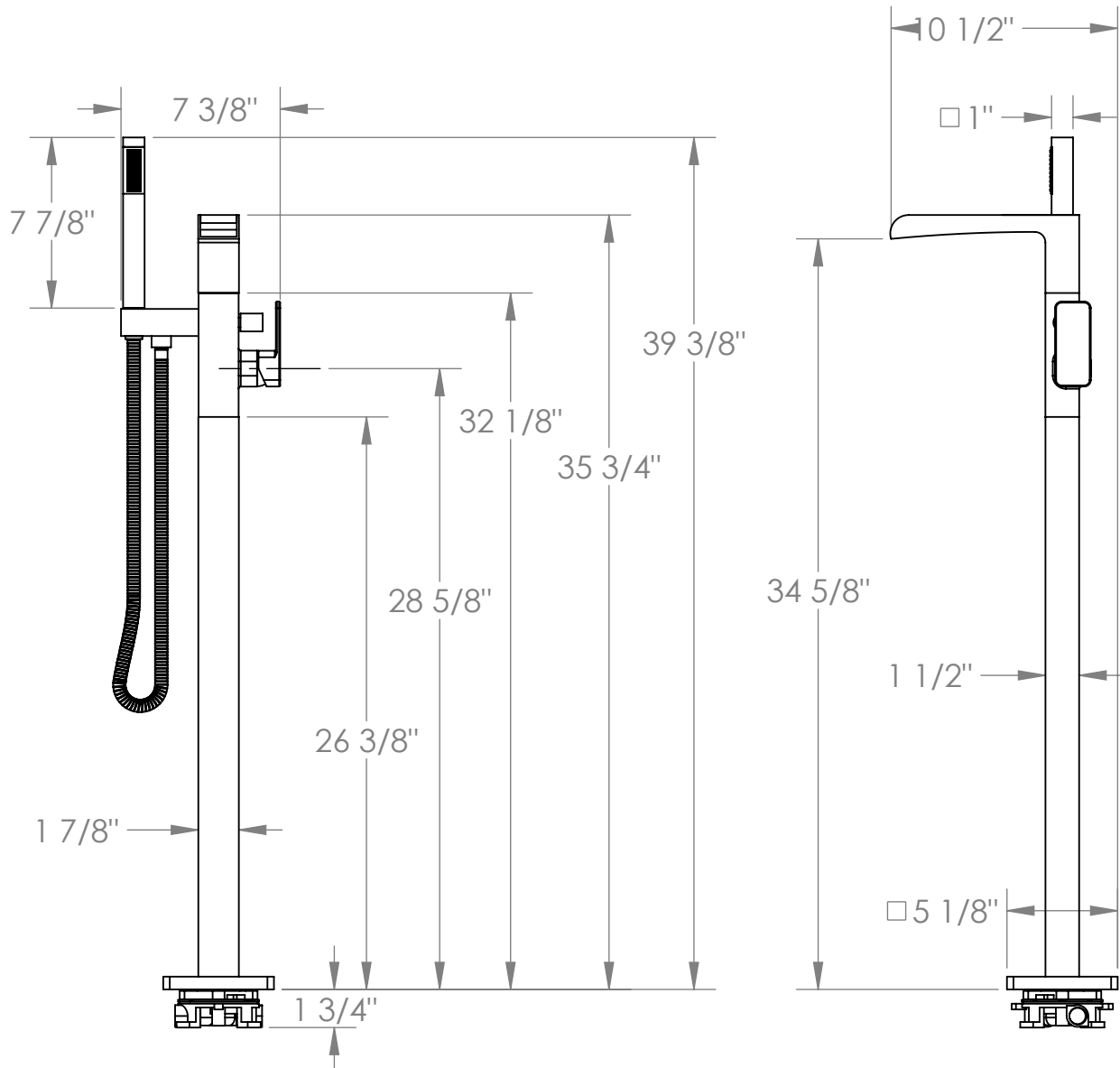
# ROUGH-IN DIMENSIONS

35-8.8

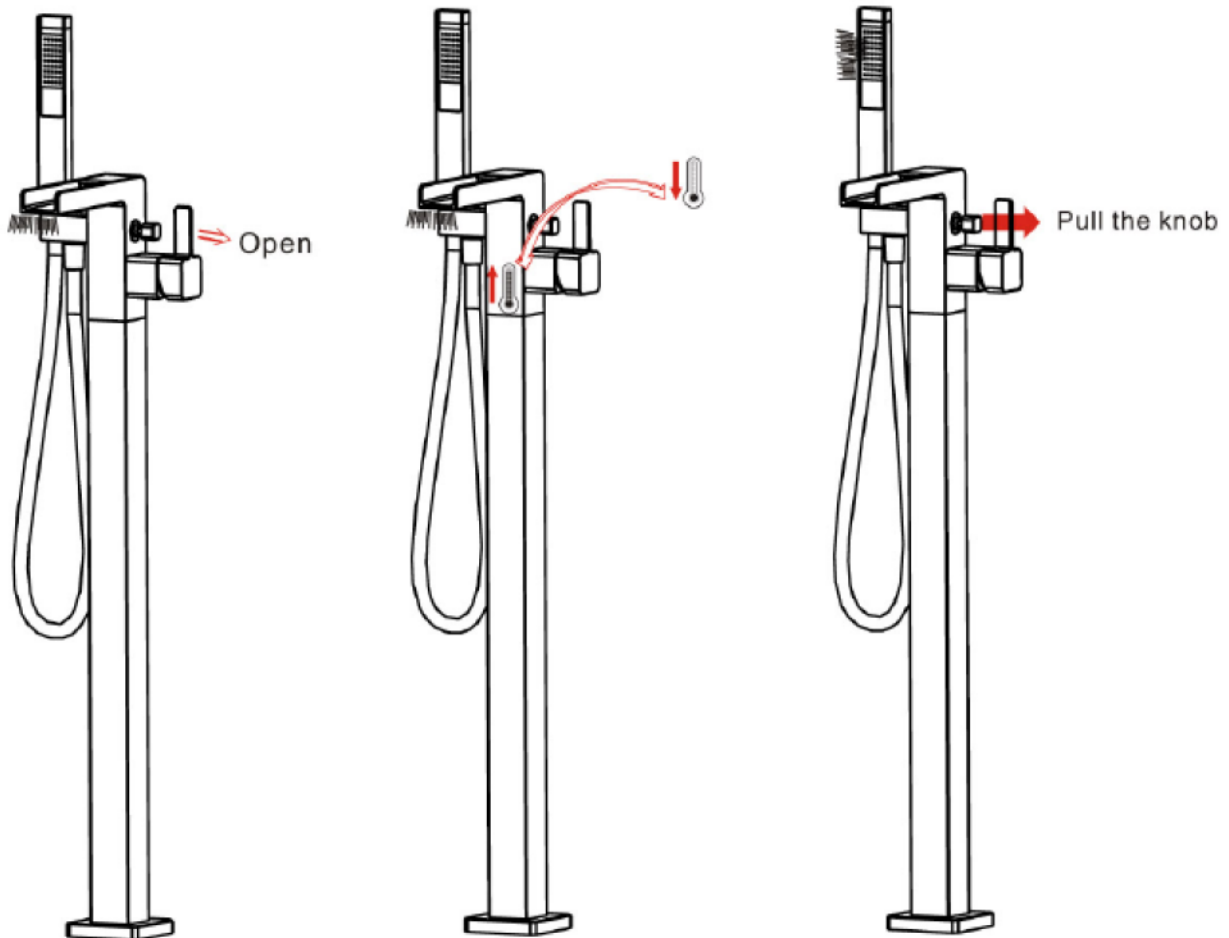


# ROUGH-IN DIMENSIONS

35-8.8WF



# OPERATION INSTRUCTIONS



- Pull lever outward to turn on faucet.
- Move lever back and forth to change temperature from cold to hot.
- Pull diverter knob to change flow to hand shower.

# INSTALLATION INSTRUCTIONS

## **ATTENTION**

1. The cartridges in the main body have been tested and adjusted by the factory. DO NOT take the cartridges apart.
2. Ensure to clean water supply pipes of debris before installation to avoid cartridge being jammed.
3. Connect the hot water supply on the left and the cold water supply on the right of rough body.

**Flow pressure: Min: 7.25psi                      Max: 232psi**

**Recommended pressure: 14.5 psi to 116 psi**

## **TO KEEP THE QUALITY OF THE FAUCET PLEASE FOLLOW THESE INSTRUCTIONS**

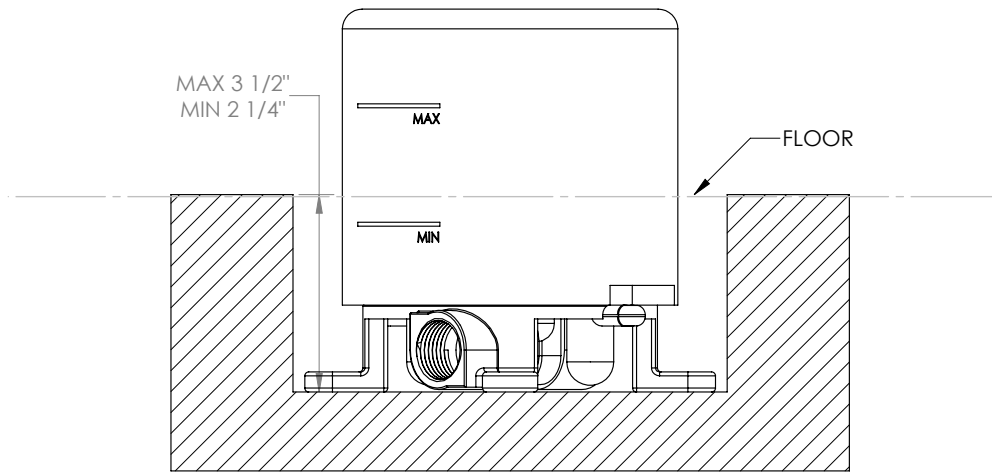
- Rinse the faucet clean with water
- DO NOT use any cleaning agents containing abrasive or coated abrasive materials
- DO NOT use any cleaning agents containing acids, polish abrasives, or harsh cleaners or soaps

## **IF FAUCET REQUIRES REGULATORY AND HEAVY CLEANING THE FOLLOWING PROCEDURES ARE RECOMMENDED**

1. Clean the faucet with water.
2. Remove tough surface film and build up with: SOFT liquid cleaning agents or clear liquid glass cleaners; non-acidic, non-abrasive gentle liquid; fully dissolved powder cleansers mixed according to manufacturer's directions; or non abrasive liquid polishers.
3. After cleaning, make sure to fill sufficiently with clear water in order to completely remove and remaining cleaning agents and then dry with a soft cotton cloth.

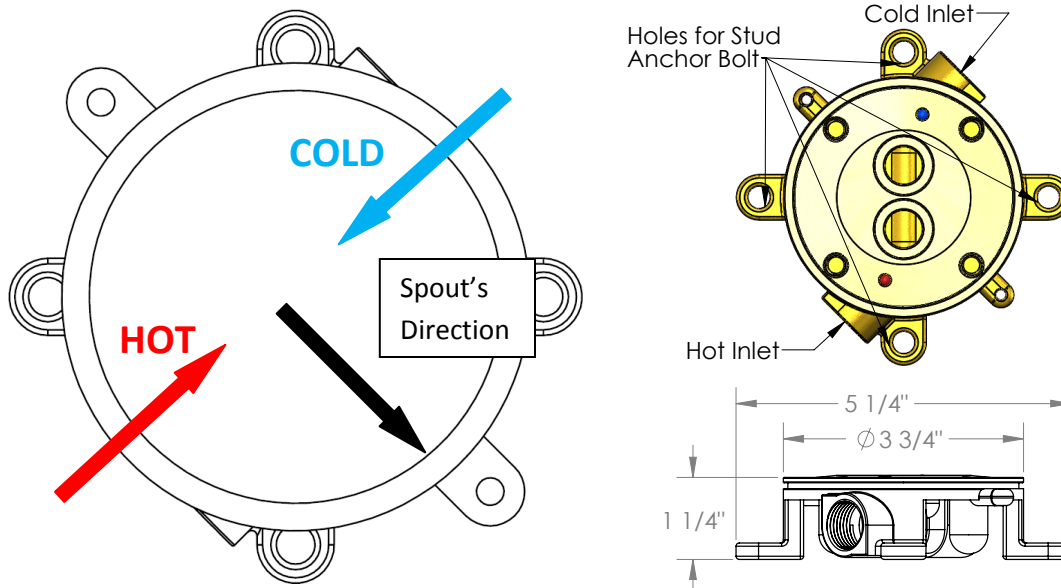
# INSTALLATION STEPS

1



- Make a hole in the ground with depth of 2 1/4" to 3 1/2" to fit the rough.
- Use the MIN and MAX lines on the mud guard as a reference for ground level. Floor level should lie between the MIN and MAX lines

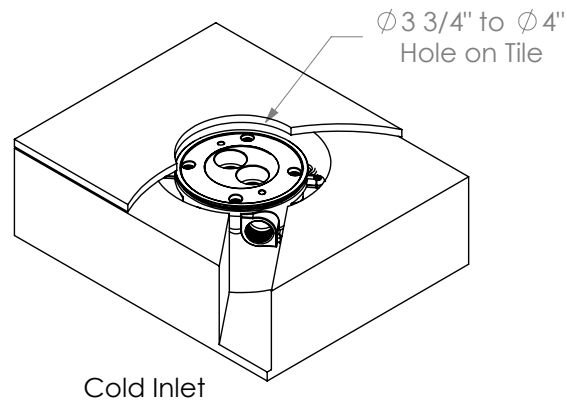
2



- Align the rough to desired spout's direction based on the arrows on the mud guard.
- Mark four holes on the ground for the stud anchor bolts.
- Install the rough on the ground, and secure it with the four stud anchor bolts.
- Adjust all bolts and keep the rough level.
- Tighten the bolts.

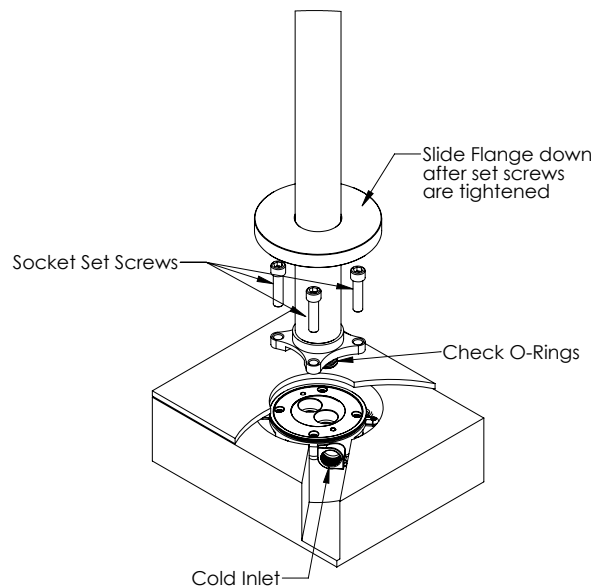
## INSTALLATION STEPS

3



- Keep mud guard on the rough until installation of the mixer.
- Leave a hole about  $\phi 3 \frac{3}{4}$ " to  $\phi 4$ " on the tile(s) floor, do not glue the tile(s) yet.
- Inlet connections are  $\frac{1}{2}$ "-14 NPT Female.

4



- Before attaching the mixer, check if the O-rings are good.
- Remove mud guard, glue the tile(s) with the  $\phi 3 \frac{3}{4}$ " to  $\phi 4$ " hole.
- Apply lubricant on the O-rings if necessary, and then insert the mixer in to the rough carefully and smoothly.
- Secure mixer with the four socket head screws provided.
- After installation, test the mixer and see if there are any leakages.