



©WETSTYLE

Tulip

BTP 01

inch 64.8125 x 34 x 20 / 25 mm 1646 x 863 x 509 / 635

Interior dimensions

rim: inch 62.3125 x 30.8125 mm 1582 x 782
 base: inch 42.875 x 23 mm 1089 x 584
 height: inch 16.25 / 21.5 mm 413 / 546

Capacity to overflow

gal (us) - 68 liters - 260

Weight

lb - 165 kg - 75

Installation

freestanding

Overflow and drain connection

WETSTYLE Plug & Bathe™ system
 (ABS or copper/brass)

Overflow

built-in
 slot design
 polished chrome or brushed nickel

Drain

soft toe touch
 polished chrome or brushed nickel

Waste and overflow kit

included

Material

WETMAR Bio™, True High Gloss™,
 Matte or Dual* finish

Color

white

Codes/standards applicable

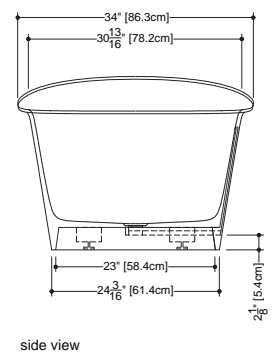
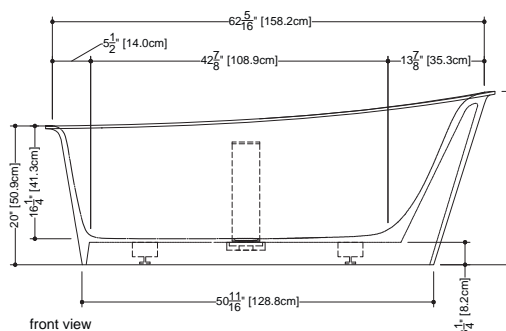
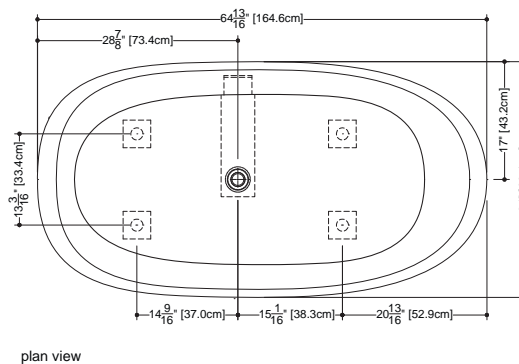
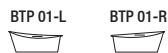
IAPMO-ANSI Z124.1 - IAPMO-ANSI Z124.3
 CSA B 45.0 - CSA B45.4

Faucet area recommended

wall-mounted or floor-mounted

*Dual finish: True High Gloss™ interior and rim
 and matte exterior

WETSTYLE cannot be held responsible for any technical errors and reserves the right to make revisions without notice. Approximate measurement. The manufacturer accept 1/8" (6.35mm) variance.



WETSTYLE Plug & Bathe™ overflow and drain connection system includes:

- Soft-touch pop-up drain, for built-in overflow. Fits both 1-1/2" ABS drain waste and 1-1/2" tubular brass
- 1-1/2" ABS Direct vertical drain waste fitting (copper/brass option also available)
- 1-1/2" ABS 90° Elbow drain waste fitting (copper/brass option also available)

