



## BOV 01-66

inch 66x30x24.75 mm 1676x762x629

### Interior dimensions

Rim: 64x28 inch — 1626x711 mm  
 Base: 55.75x20.25 inch — 1416x514 mm  
 Height: 20.5 inch — 521 mm

### Capacity to overflow

70 gal (us) — 263 liters

### Weight

182 lb — 83 kg

### Installation

Freestanding

### Accessory

Oak bridge wenge shade

### Material

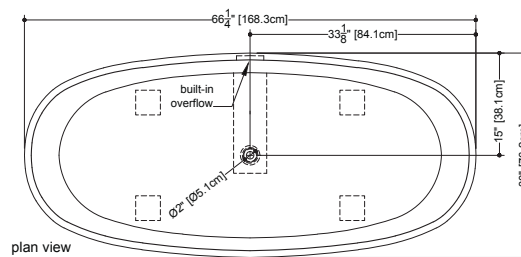
WETMAR BiO™,  
 True High Gloss™ or matte finish

### Color

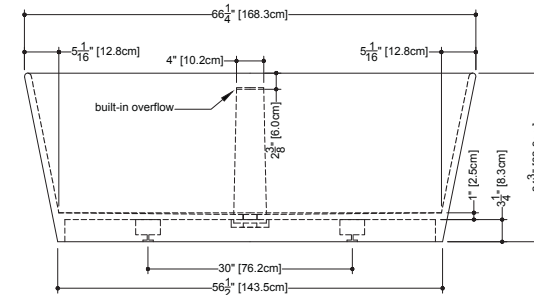
White

### Codes/standards applicable

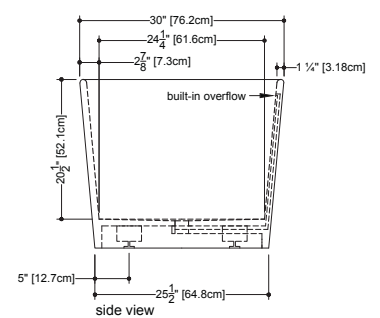
IAPMO-ANSI Z124.1  
 IAPMO-ANSI Z124.3  
 CSA B 45.0 - CSA B45.4



plan view



front view



side view



- WETSTYLE Plug & Bathe™ overflow and drain connection system includes:
- Soft-touch pop-up drain, for built-in overflow. Fits both 1-1/2" ABS drain waste and 1-1/2" tubular brass
  - 1-1/2" ABS Direct vertical drain waste fitting (copper/brass option also available)
  - 1-1/2" ABS 90° Elbow drain waste fitting (copper/brass option also available)

WETSTYLE cannot be held responsible for any technical errors and reserves the right to make revisions without notice.

Approximate measurement  
 The manufacturer accept 1/4" (6.35mm) variance.

WETSTYLE.CA — Montreal, Canada  
 T. 1 888 536.9001 — F. 450 536.0202





## BOV 01-66

inch 60x30x22.5 mm 1524x762x572

- **Overflow and drain connection**  
WETSTYLE Plug & Bathe™ system  
(ABS or copper/brass)
- **Overflow**  
Built-in  
Slot design  
Polished chrome or brushed nickel
- **Drain**  
Soft toe touch  
Polished chrome or brushed nickel
- **Standard drain installation type**  
Horizontal TEE connection
- **Optional drain installation type**  
Direct vertical drain connection
- **Faucet area recommended**  
Wall-mounted or floor-mounted
- **Option**  
Columns for wall or deck-mounted  
faucets (*refer to the Column collection*)

WETSTYLE cannot be held responsible for any technical errors and reserves the right to make revisions without notice.

*Approximate measurement*  
The manufacturer accept 1/4" (6.35mm) variance.