



© WETSTYLE

Be

BBE 01

inch 66 x 34 x 22 mm 1676 x 864 x 559

Interior dimensions

Rim: 63 1/2 x 32 inch — 1613 x 812 mm
 Base: 47 7/8 x 24 inch — 1215 x 609 mm
 Height: 18 1/4 inch — 463 mm

Capacity to overflow

90 gal — 340 liters

Weight

177 lb — 80 kg

Installation

Freestanding

Accessory

Oak bridge wenge shade

Drain connection

WETSTYLE Plug & Bathe™ system
 (ABS or copper/brass)

Overflow

Built-in
 Slot design
 Polished chrome or brushed nickel

Drain

Soft toe touch
 Polished chrome or brushed nickel

Faucet area recommended

Wall-mounted or floor-mounted

Material

WETMAR Bio™,
 True High Gloss™, matte or Dual* finish

Color

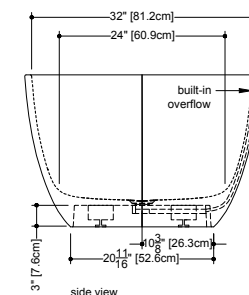
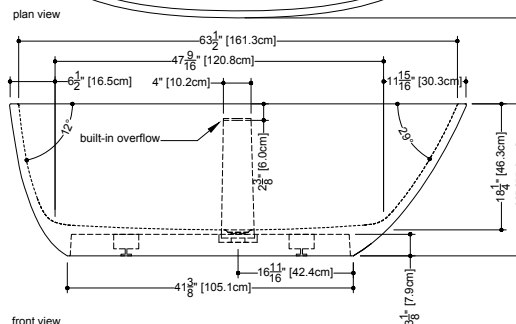
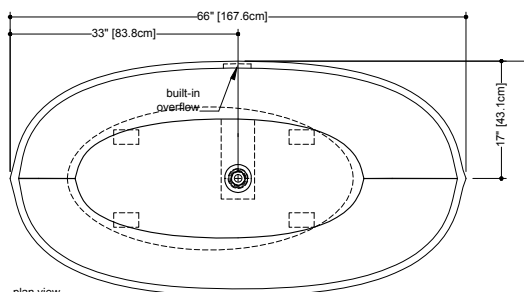
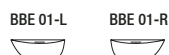
White

Codes/standards applicable

IAPMO-ANSI Z124.1
 IAPMO-ANSI Z124.3
 CSA B 45.0
 CSA B45.4

WETSTYLE cannot be held responsible for any technical errors and reserves the right to make revisions without notice.

Approximate measurement.
 The manufacturer accept 1/4" (6.35mm) variance.



WETSTYLE Plug & Bathe™ overflow and drain connection system includes:

- Soft-touch pop-up drain, for built-in overflow. Fits both 1-1/2" ABS drain waste and 1-1/2" tubular brass
- 1-1/2" ABS Direct vertical drain waste fitting (copper/brass option also available)
- 1-1/2" ABS 90° Elbow drain waste fitting (copper/brass option also available)

WETMAR
 Bio™

* Dual finish: True High Gloss™ interior and rim and matte exterior

WETSTYLE.CA — Montreal, Canada
 T. 1 888.536.9001 — 450.536.0202

WET
 STYLE