



# installation guide

lavatory and vessel sink

## INDEX

|  |        |
|--|--------|
| <b>Before you begin</b>  | p.1    |
| <b>Installation</b>  |        |
| • <b>Above-counter lavatory and vessel sink</b> (VC, VCM and VOV – 4" height, VBE, VTP, VCR) | p.2    |
| • <b>Installation of lavatory on third party/non WETSTYLE furniture</b>                      | p.3    |
| • <b>Semi-recessed lavatory</b> (VCS, VCMS and VOVS – 2" height)                             | p.4    |
| • <b>Under-counter vessel sink</b>   | p.5    |
| • <b>Cleaning guide</b>  | p.6    |
| • <b>Warranty</b>  | p.7    |
| • <b>Tap Drilling Instructions</b>   | annexe |

## BEFORE YOU BEGIN

Your choice is a testimonial to your excellent taste. Thank you for choosing from among WETSTYLE's quality line of products. We recommend that you carefully read this installation guide to ensure your lavatory or sink's proper operation and reliability for many years to come.

## TOOLS AND EQUIPMENT



Protective glasses



Drill and bits



Measuring tape



Paper pencil



Jigsaw



Silicone Caulking



- **ADHERE TO ALL LOCAL BUILDING AND PLUMBING CODES.**
- **UNPACK THE LAVATORY/SINK AND CAREFULLY EXAMINE IT TO ENSURE THERE IS NO DAMAGE. REPLACE THE LAVATORY/SINK IN ITS ORIGINAL PACKING MATERIAL UNTIL YOU ARE READY TO INSTALL IT. SHOULD YOUR LAVATORY/SINK HAVE BEEN DAMAGED DURING DELIVERY, PLEASE CONTACT WETSTYLE'S CUSTOMER SERVICE.**

## ABOVE-COUNTER LAVATORY & VESSEL SINK (VC, VCM and VOV – 4" height, VBE, VTP, VCR)

1. Install the basic plumbing components: water inlet and drain.
2. Determine where you will place your lavatory on the support surface/countertop, ensuring there is adequate space for the waste pipe. Make an opening in the support surface/countertop. (Figure 1)
3. Place the lavatory on the support surface/countertop, ensuring the waste pipe is in a clear position and the lavatory in the desired spot. (Figure 2)
4. Mask the entire support surface/counter around the lavatory. (Figure 3)  
This will protect the surface/countertop from the silicone sealer that will be applied on step 6.

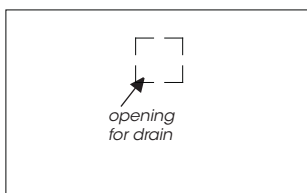


Figure 1

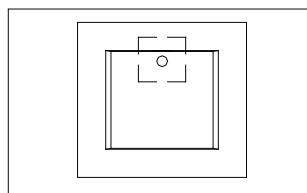


Figure 2

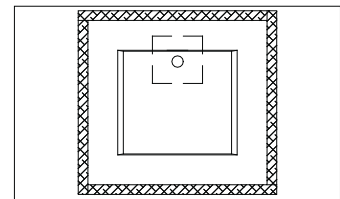


Figure 3

5. Install the lavatory drain. Read the manufacturer's instructions to ensure you are installing the equipment as you should. Before the final installation phases, check that all connections are waterproof.

*To drill holes in the lavatory for installing the valving, see the section Tap drilling instructions annexed.*

6. To fix the lavatory on the support surface/countertop:
  - Cover the lavatory surfaces that will rest on the support surface/countertop with a silicone sealer. (Figure 4)
  - Place the lavatory on the support surface/countertop. Press down to ensure there is a good adhesion between the 2 surfaces that are touching.
  - Remove the excess sealer.
  - Remove the masking tape. Let dry until the silicone sealer has set.

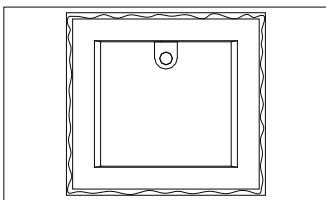


Figure 4

7. Connect all of the final plumbing. Hook up the water to the valving.

**ABOVE-COUNTER LAVATORY** (VC, VCM and VOV - 4 " height) and  
**SEMI-RECESSED LAVATORY** (VCS, VCMS and VOVS - 2 " height)

**IMPORTANT: If installing lavatory on third party furniture (non WETSTYLE vanities)**

Please be advised that when installing WETSTYLE Lavatories on furniture that is not Wetstyle, an adequate support or bracing must be applied otherwise there is a risk of bowing or sagging.

WETSTYLE does not take responsibility for the use of third party furniture in conjunction with WETSTYLE Lavatories. Installation of these counter top sinks without adequate support underneath will void warranty.

Figure #1 (Tracing the opening for sink bowl)

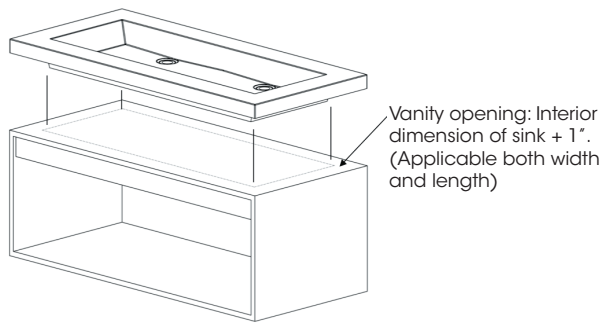


Figure #2 (Placing the lavatory)

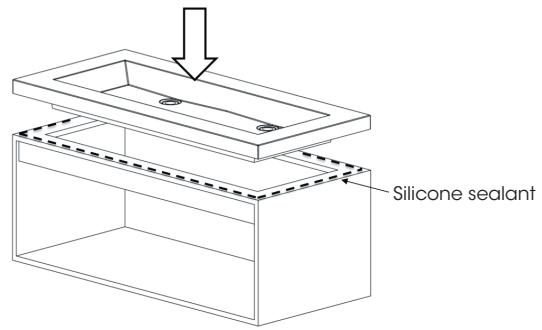


Figure #3 (Risk of bowing)

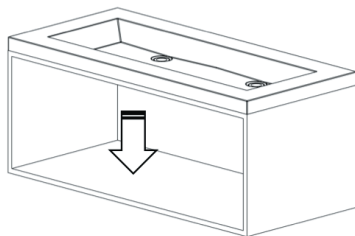
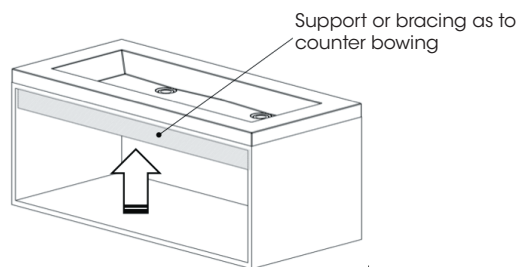


Figure #4 (Adding support)



Lavatory must be supported on all four sides and reinforced on the front. Improper installation as depicted in this warning will void the warranty

**CAUTION**  
 LAVATORY must be evenly supported on all four sides to avoid sagging.

## SEMI-RECESSED LAVATORY (VCS, VCMS and VOVS – 2" height)

1. Install the basic plumbing components: water inlet and drain.
2. Examine the space to make sure there is adequate room for the sink, the drain and the pipe. To calculate the opening for the lavatory, use the interior dimension and add 1" to the length and 1" to the width.

**Example lavatory VCS 24** Interior dimension: length 16" width 14"

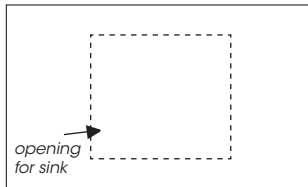


Figure 1

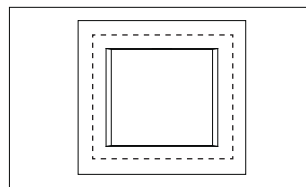


Figure 2

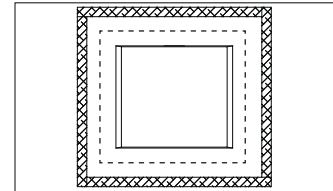


Figure 3

A VCS 24 would need an opening of 18" length by 16" width

3. Use a white pencil and trace the openings required to install the lavatory and the pipe on the cabinet. (Figure 1)
4. Use a jigsaw to cut around the tracing in order to complete the desired opening.
5. Place the lavatory on the support surface/countertop, ensuring the waste pipe is in a clear position and the lavatory in the desired spot. (Figure 2)
6. Mask the entire support surface/counter around the lavatory. (Figure 3)  
This will protect the surface/countertop from the silicone sealer that will be applied on step 8.
7. Install the lavatory drain. Read the manufacturer's instructions to ensure you are installing the equipment as you should. Before the final installation phases, check that all connections are waterproof. *To drill holes in the lavatory for installing the valving, see the section Tap drilling instructions annexed.*
8. To fix the lavatory on the support surface/countertop:
  - Cover the lavatory surfaces that will rest on the support surface/countertop with a silicone sealer. (Figure 4)
  - Place the lavatory on the support surface/countertop. Press down to ensure there is a good adhesion between the 2 surfaces that are touching.
  - Remove the excess sealer.
  - Remove the masking tape. Let dry until the silicone sealer has set.

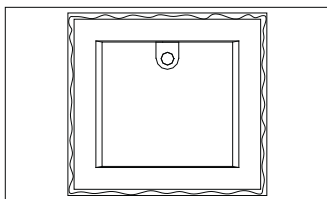


Figure 4

9. Connect all of the final plumbing. Hook up the water to the valving.

## UNDER-COUNTER VESSEL SINK

1. Install the basic plumbing components: water inlet and drain.
2. Determine the size of your opening based on the sink chosen. For example, a sink with inside dimensions of 19-3/4" x 13" (Figure 1), will require a counter opening of 19-1/2" x 12-3/4" (Figures 2 and 3), i.e. 1/4" less in both depth and length.

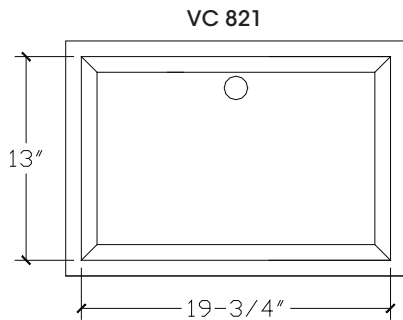


Figure 1  
Sink inner dimensions

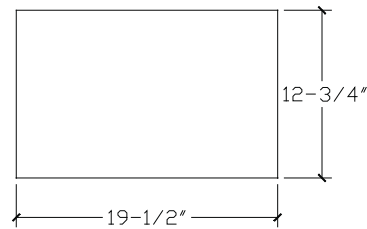


Figure 2  
Size of the opening

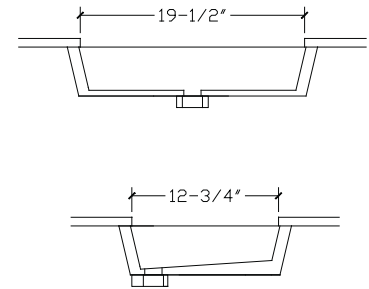


Figure 3  
Sectional views

3. Install the sink drain. Read the manufacturer's instructions to ensure you are installing the equipment as you should. Before the final installation phases, check that all connections are waterproof.
4. To fix the sink underneath the counter:
  - Cover the flat rim of the sink with a silicone sealer. (Figure 4)
  - Place the sink underneath the counter and press up to ensure there is a good adhesion between the 2 surfaces that are touching. (Figure 5)
  - Prop up the sink with a stick to maintain pressure until such time as the silicone sealer has set.

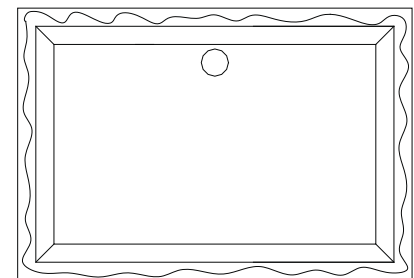


Figure 4

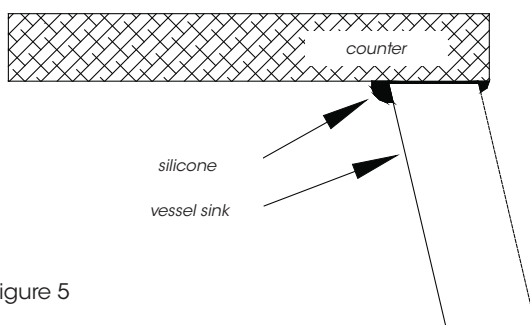


Figure 5

- Remove the excess sealer.

5. Connect all of the final plumbing. Hook up the water to the valving.

## CLEANING GUIDE

All WETSTYLE products are manufactured with **WETMAR BiO™**; an ultra-smooth, non-porous material that helps keep grime and calcium deposits in check.

**WETMAR BiO™** is ultra-easy to clean: after each use, simply wipe with a soft cloth to remove any surface dirt.

For standard cleaning of both glossy and matte finishes, we recommend using widely available cleaning products such as Mr. Clean, Fantastik, CIF, etc. The **matte finish** may occasionally require a mildly abrasive product.

Never use petroleum-based products when cleaning, i.e. paint thinners or other solvents, as they may damage the **WETMAR BiO™** surface. (Note: Personal hygiene products and cosmetics will NOT damage the surface.)

### Standard Cleaning

#### **WETMAR BiO™, True High Gloss™**

Wipe surface with a soft cloth after each use.

Use a mild cleaning product such as Mr. Clean, Fantastik, CIF, etc.

Do not use abrasive products or cream cleansers.

#### **WETMAR BiO™, matte finish**

Wipe surface with a soft cloth after each use.

Use a mild cleaning product such as Mr. Clean, Fantastik, CIF, etc.

For more difficult stains, use a mildly abrasive cream cleanser such as Soft Scrub, Comet Soft Cleanser, Cream with Bleach or CIF.

### Scratched Or Damaged Surfaces

To repair scratched or damaged surfaces, sand the area using 600-, 800- and 1200-grit sandpaper, beginning with the lower number (coarser) grit and then following with the higher number (finer) grit in ascending order. Finish by polishing the surface using a cloth and white polishing compound for automobiles.

### Repairs

For more extensive repairs, send a photograph of your WETSTYLE product to our Customer Service Department ([service@wetstyle.ca](mailto:service@wetstyle.ca)), who will inform you as to the most appropriate methods to use.

## WARRANTY

WETSTYLE's warranty on **WETMAR BiO™ products** covers all defects in materials and manufacturing for a period of five years.

WETSTYLE's warranty on **furniture and accessories** covers all defects in materials and manufacturing for a period of one year.

This limited warranty, starting on the original purchase date, is only offered to the original purchaser who acquires the product directly from WETSTYLE or from its authorized dealers.

This limited warranty does not apply to cases in which a product was incorrectly installed, nor to damage due to negligence, misuse, thermal shock, cigarette burn, fire, natural catastrophes or other accidents.

This limited warranty does not extend to products purchased over the Internet from non authorized WETSTYLE distributors.

This limited warranty does not extend to products purchased from non authorized WETSTYLE distributors or sub-dealers.

WETSTYLE is not responsible for costs and claims that may arise from purchase of a product unsuited to the structure of the existing building.

Any transformation or alteration made to a WETSTYLE product automatically voids the warranty.

The manufacturer's warranty is limited to repair or replacement (with a product of equal value), provided the claim is made to an authorized dealer or directly to WETSTYLE within the warranty period. Labour costs and any other expenses entailed by replacement of a WETSTYLE product are not covered by the warranty.

WETSTYLE products are certified CSA B45.0, CSA B45.4, ANSI Z124.1 and ANSI A124.3.