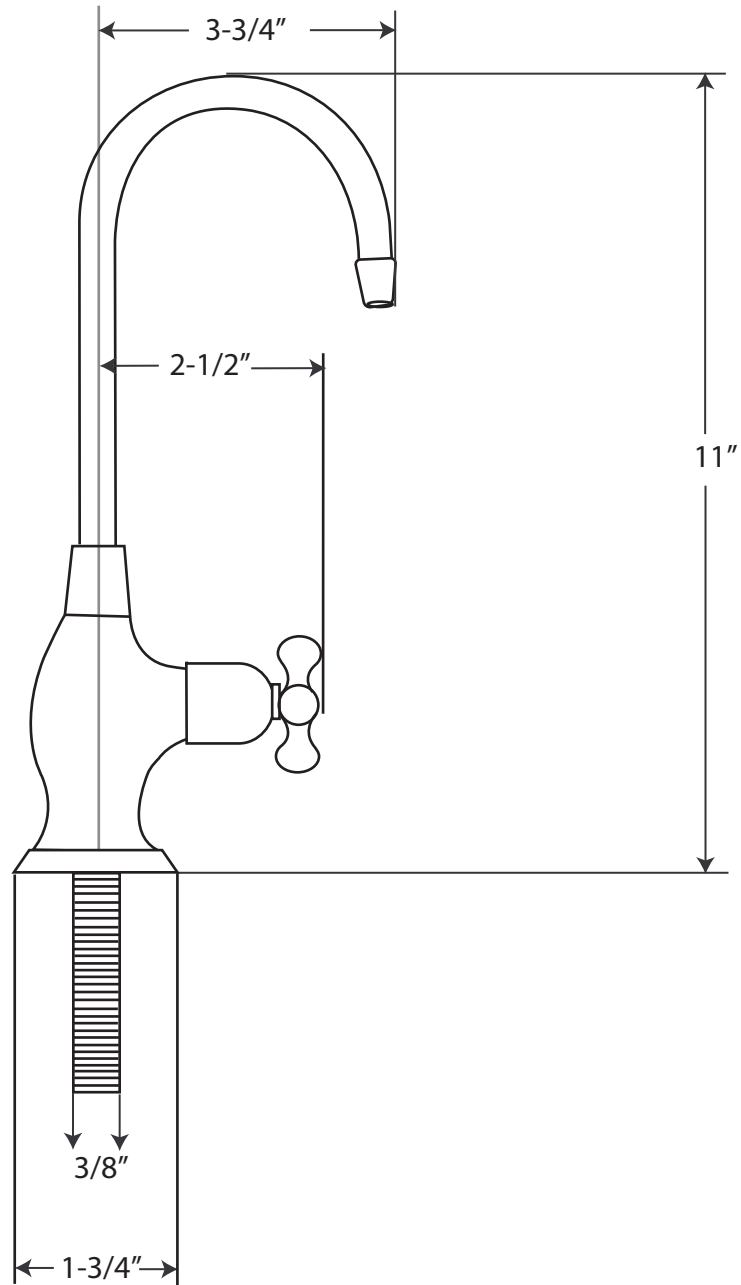


PART NO. D2034

SPECIFICATION SHEET

10 1/2" Victorian cold only water dispenser with cross handle



Suggested hole size 1/2"