

Food Waste Disposal

WASTEMASTER

by WESTBRASS

WM50A

1/2 HP Silver Series

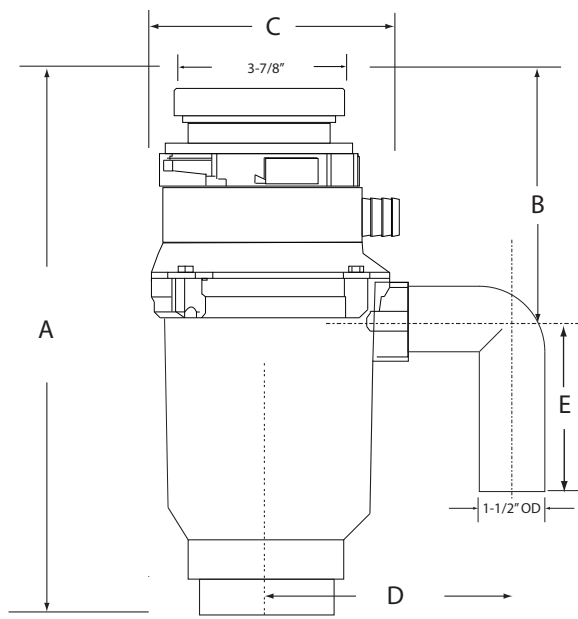


GRINDMASTER premium performance components create the ultimate home waste disposal system.

- 2600 RPM **LIQUIDATOR** permanent magnet motor nearly eliminates clogging or binding.
- Accoustically balanced stainless steel turntable and armature for smooth, quiet operation.
- Cast stainless steel impellers for superior longevity.
- **GUARDMASTER** removable splash guard for easy cleaning.
- **MOUNTMASTER** locking system for easy installation.

Specifications	Model WM50A
Horsepower	1/2 HP
Motor Speed RPM	2600 RPM
Voltage	100/120 v
Amperage	4.5 a
Hertz	50/60 Hz
Motor Type	Permanent Magnet
Splash Guard	PVC
Drain Outlet	Polycarbonate 940
Grind Ring	Stainless Steel
Swivel Impellers	Stainless Steel
Balanced Turntable	Stainless Steel
Balanced Armature Shaft	Stainless Steel
Hopper	Polycarbonate 940
Drain Housing	Phenolic EA-5551J
Circuit Protector	Manual Reset Breaker
Sink Flange	Polycarbonate 940
Stopper	N/A
Bearings	Permanent Sealed Sleeve
Sound Shell	Full
Individual Shipping Weight	15 lbs.
Individual Shipping Carton	6" x 6" x 16"
Master Carton (4)	41 lbs.
Measurement A	14"
Measurement B	6-1/2"
Measurement C	5-1/4"
Measurement D	5-5/8"
Measurement E	4"
Warranty (Years)	2
UPC Code	7-47028-83183-3

Apartment Pack Replacement Disposer w/ adapter for existing 3-bolt flanges.



2429 E Olympic Blvd., Los Angeles, CA 90021
 (213) 627-8441 • Fax (213) 627-2844
 info@westbrass.com • www.westbrass.com