

Cooking, cleaning, or just enjoying a cup'a, Westbrass hot water dispensers deliverinstantly.

Fingertip Adjustment

Adjust from 140° to 190° hot water with just a twist of the wrist. Great for cooking and brewing instant beverages. Completes the ultimate wet bar.

Automated Heater Protection

Self-resetting thermal fuse helps protect the heating element from dry tank abuse.

Stellar Performer

1300 watt heating element provides faster recovery times compared to other brands, while maintaining efficiency. A generous 5/8 gallon reservoir delivers 100 cups per hour of steaming hot water.

Simplified Installation

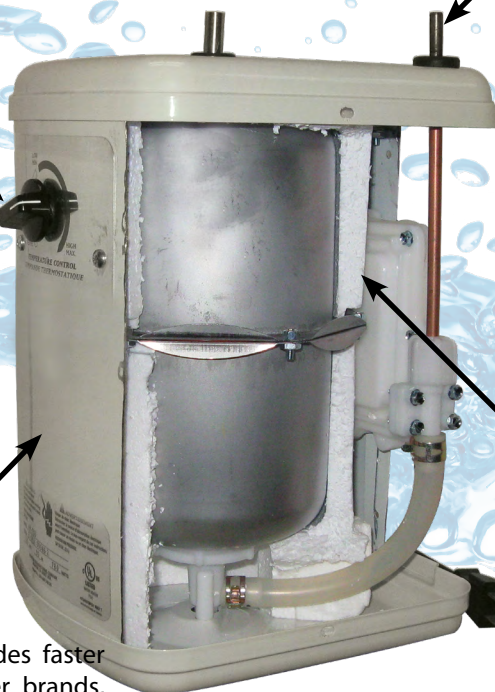
Easy to install, using the included Quick-connect and compression hose adapter fittings. Open venting faucet protects the tank from over pressurizing.

Safety and Performance

High temperature water rests comfortably, awaiting demand in the stainless steel reservoir. Our self-contained expansion chamber reduces dripping caused by water heating up, preventing tank damage or explosions prevalent in less well engineered products.

Energy Efficient

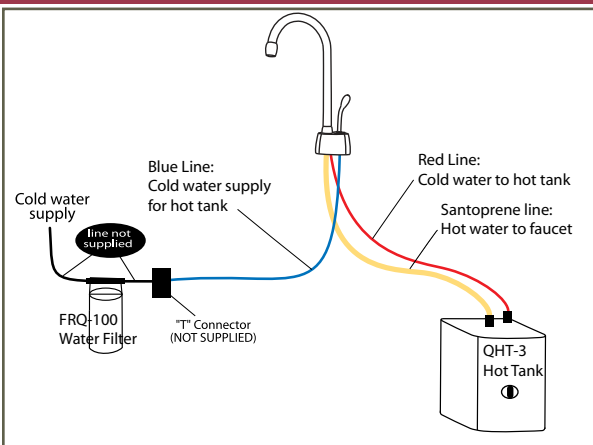
Uses less electricity than a 40 watt light bulb, costing less than a cup of coffee to operate. Super-efficient insulation and a direct immersion element combine to conserve every last watt of energy. Plugs in to a standard wall outlet.



Mastering Your Culinary Talents

- Melt chocolate
- Blanch vegetables
- Cook al dente pasta
- Prepare frozen vegetables
- Clean stuck-on dish residue
- Loosen jar lids & remove labels
- Brew perfect tea
- Make instant rice
- Re-hydrate dried fruits
- Create luscious couscous
- Remove tomato skins
- Warm plates, bottles & ice cream scoops

Create Cleaner Tasting Water



- Model FRQ-100
- Water conserving pure water filter
- Additional replacement filter unit
- 12 in. single stage carbon block element
- Filters up to 1500 gallons
- 1/4 in. compression inlet and outlet
- Produced from NSF certified components

