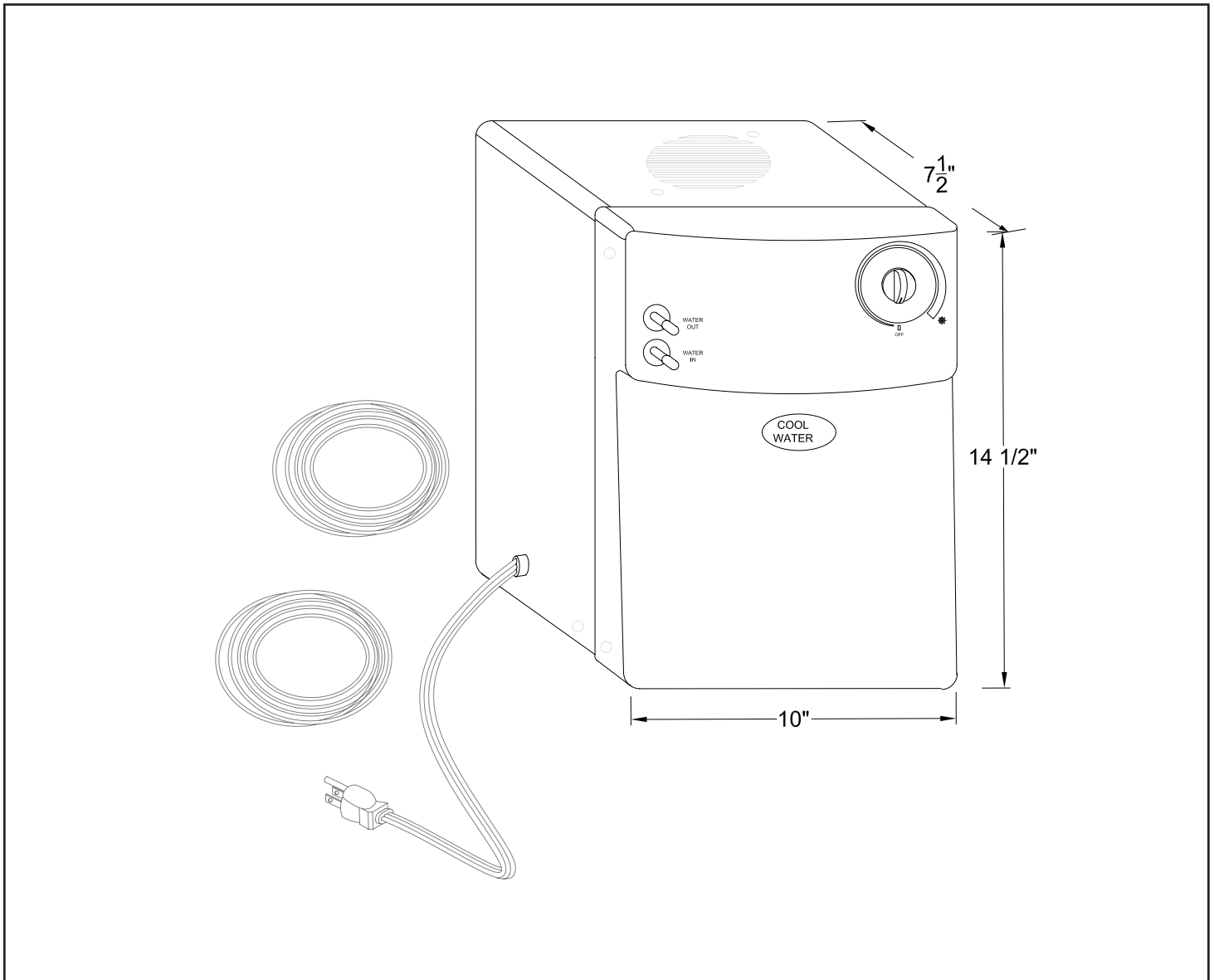


IWC-1

IN-LINE WATER REFRIGERATION UNIT

Plugs into 115V wall outlet for water dispensers. Plumbs to 1/4" copper or PVC tubing inlet and outlet. For use with pure or hot & cold water dispensers.



WESTBRASS

2429 E. Olympic Blvd. Los Angeles, CA 90021
Phone: 213-627-8441 Fax: 213-627-2844
www.westbrass.com info@westbrass.com