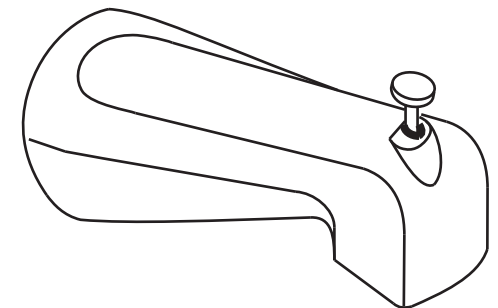
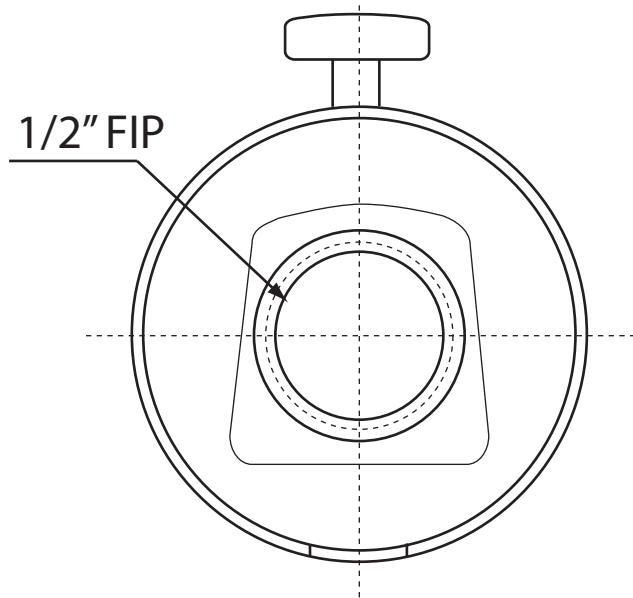
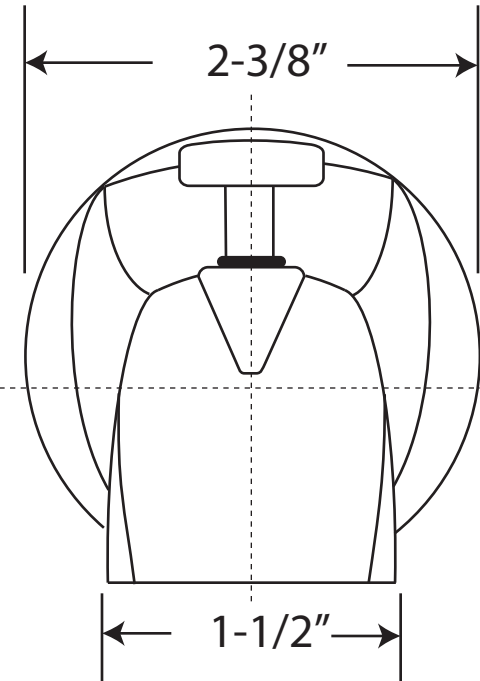
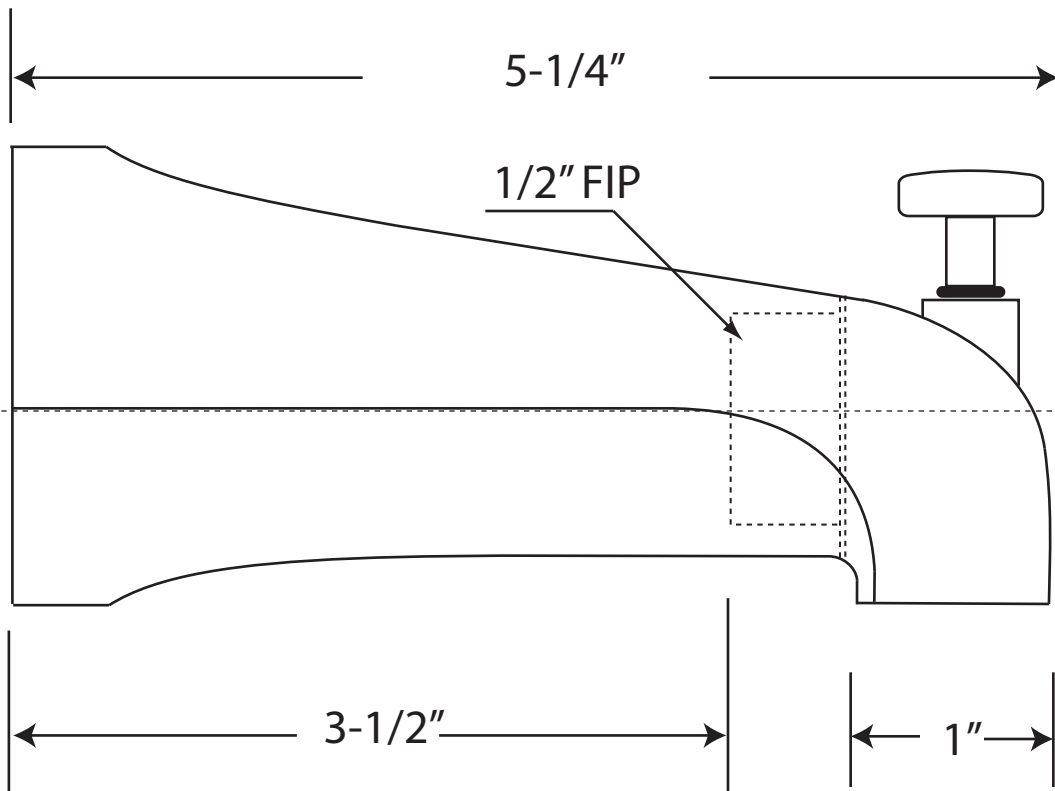


E531D-1F



WESTBRASS
Fine Decorative Plumbing Since 1935

2429 E. Olympic Blvd.
Los Angeles, CA 90021

TITLE		Front Diverter Zinc Tub Spout	
DWG NO.	E531D-1F	DATE	7-13-2012
Scale	NTS	REV	B
mrohfs		Sheet 1 of 1	