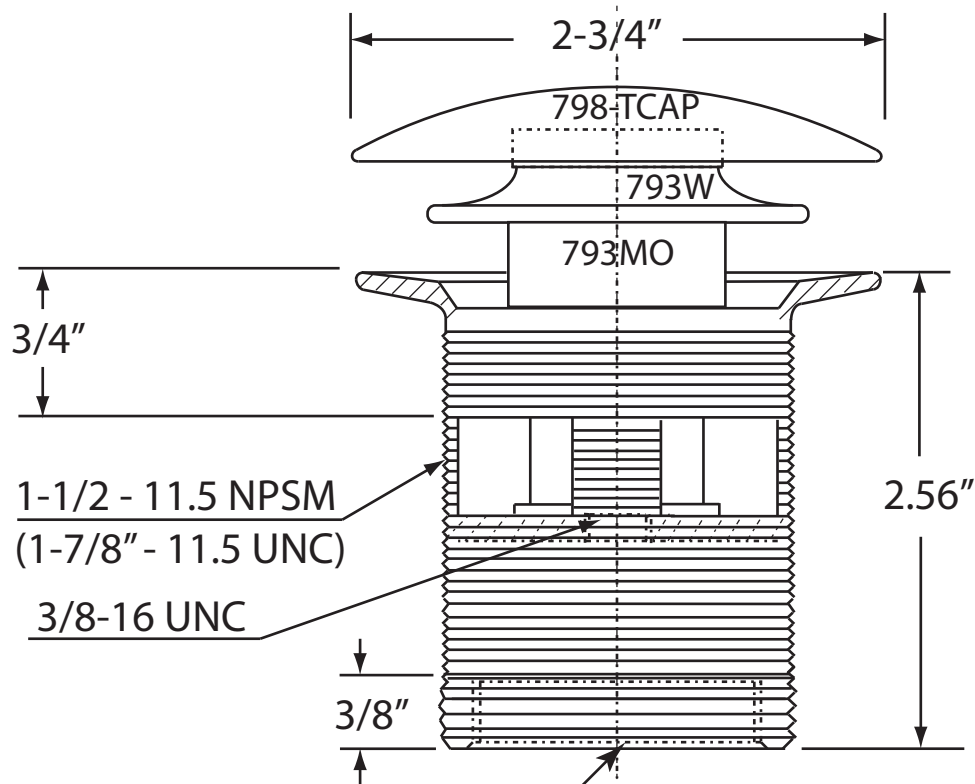
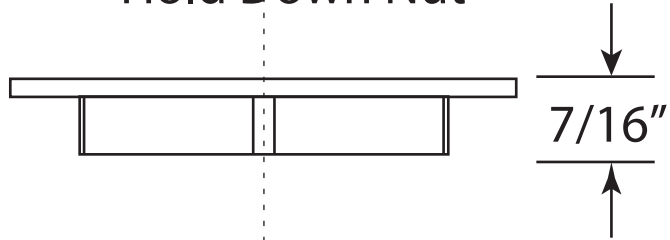


D98LTA



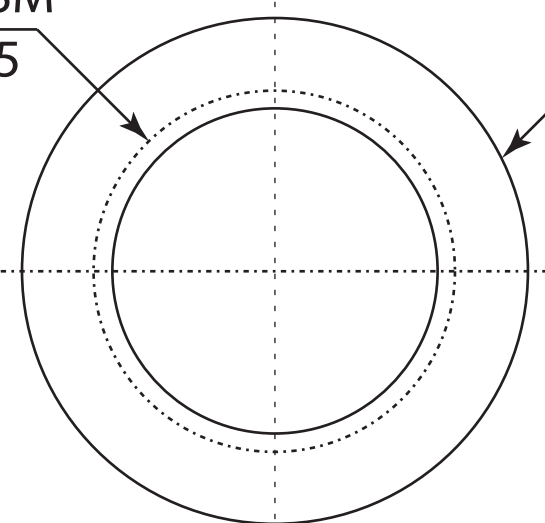
1.51"-27 UNF-2B
(1-1/2" Tubular)
45 deg. Chamfer

Hold Down Nut

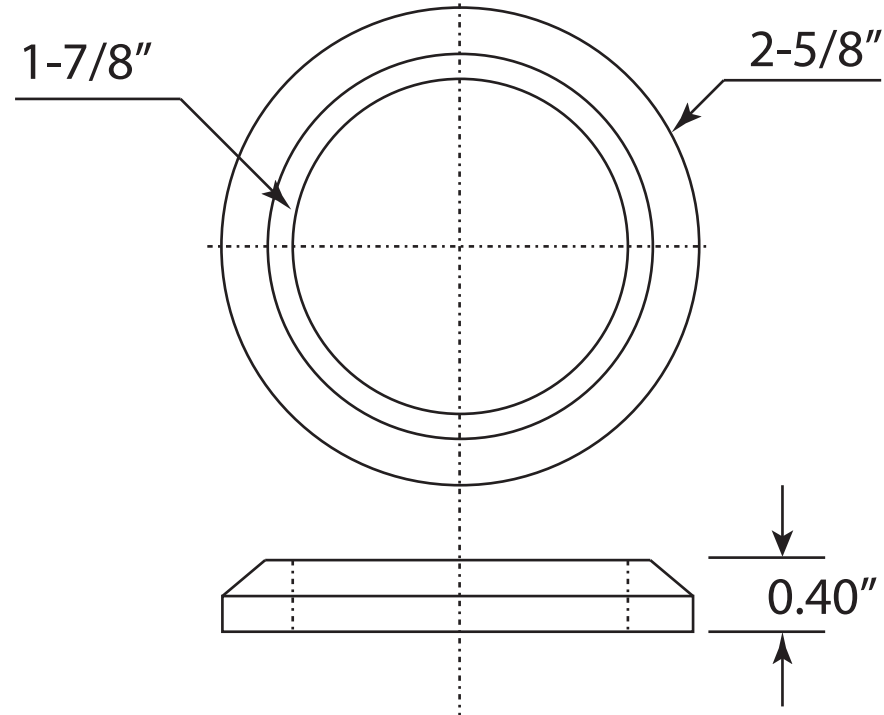


1-1/2" NPSM
(1-7/8- 11.5
UNC-2B)

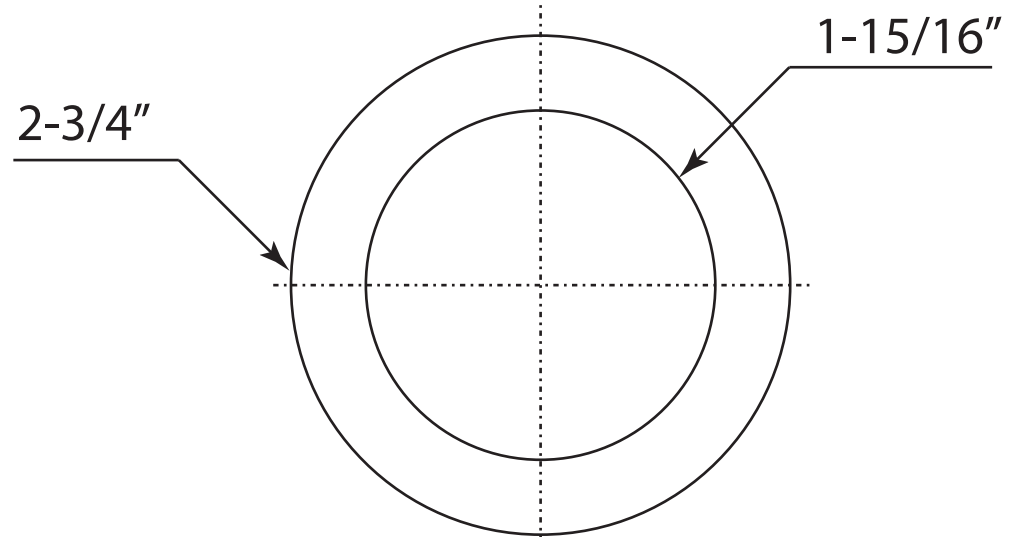
2-3/4"
Diameter



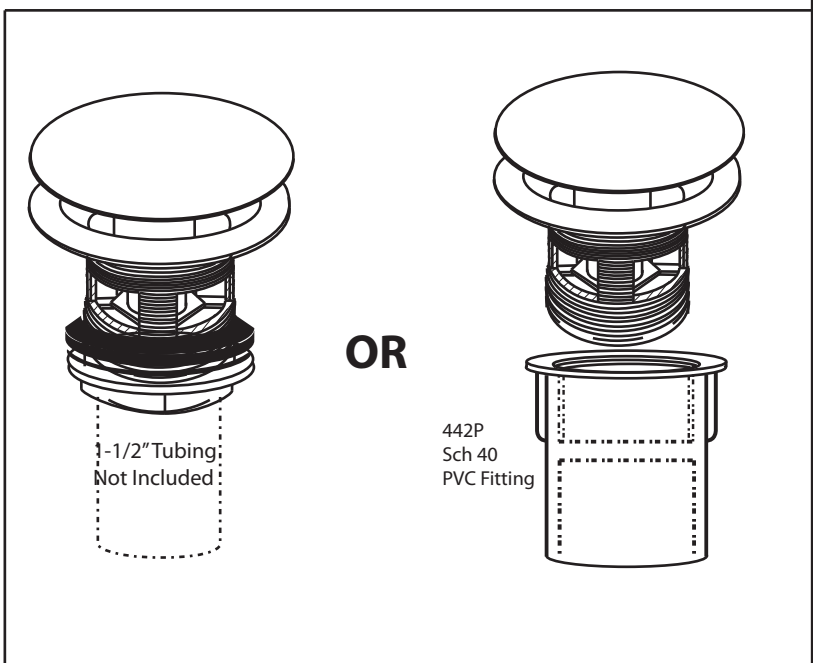
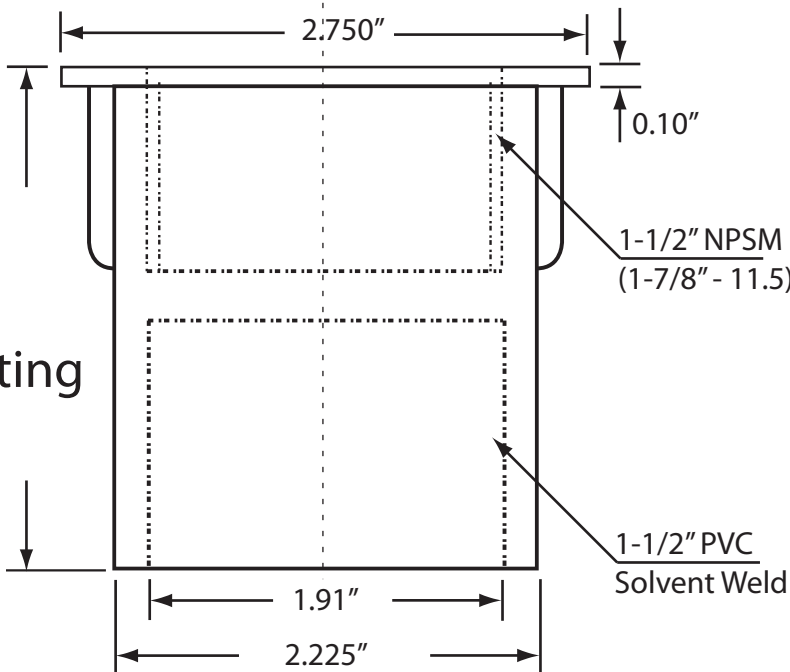
Rubber Cone Washer



Fiber Gasket



442P
Sch 40
PVC Fitting



WESTBRASS <small>Fine Decorative Plumbing Since 1935</small>		2429 E. Olympic Blvd. Los Angeles, CA 90021	
TITLE Brass Tip-Toe Strainer for Integral Overflow Tubs			
DWG NO.	D98LTA	DATE	11-18-2017
		REV	A
Scale	NTS	mrohfs	Sheet 1 of 1