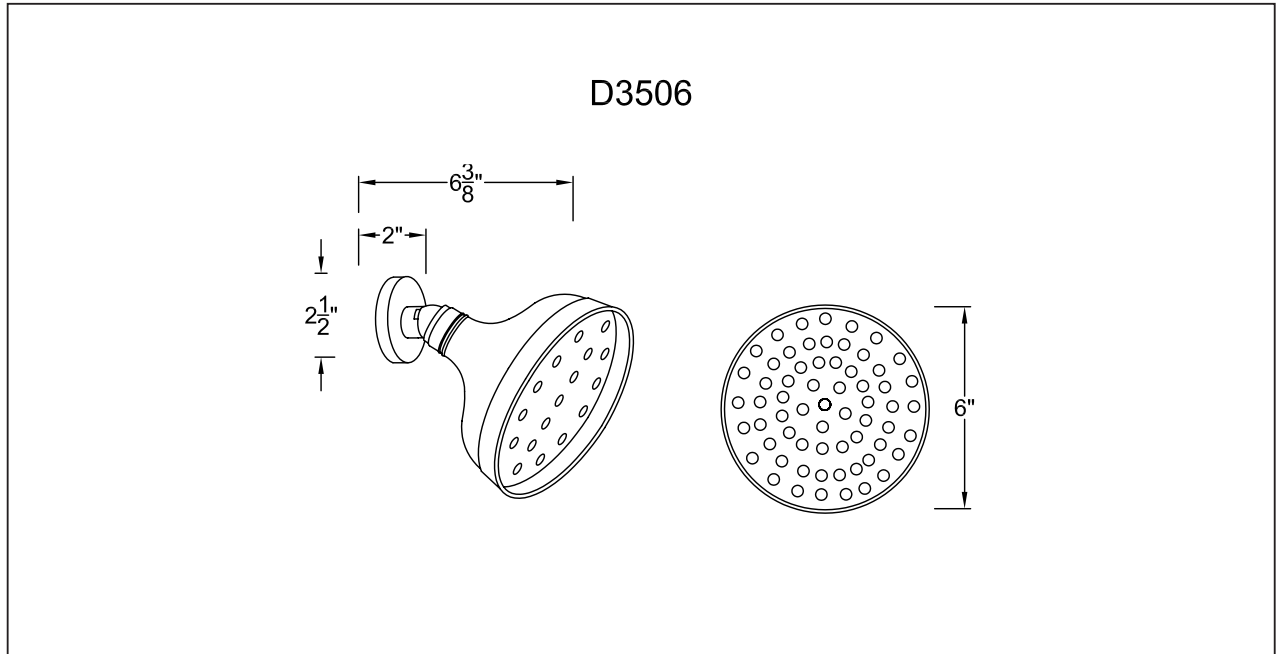


D3506

TRADITIONAL RAIN SHOWER HEADS

D3506 RAIN SHOWER HEAD WITH 77 SPRAY HOLES, BRASS. 6" DIAMETER,
1/2" IPS WITH PIVOT. 2.2 GALLONS PER MINUTE MINIMUM



WESTBRASS

2429 E. Olympic Blvd. Los Angeles, CA 90021
Phone: 213-627-8441 Fax: 213-627-2844
www.westbrass.com info@westbrass.com