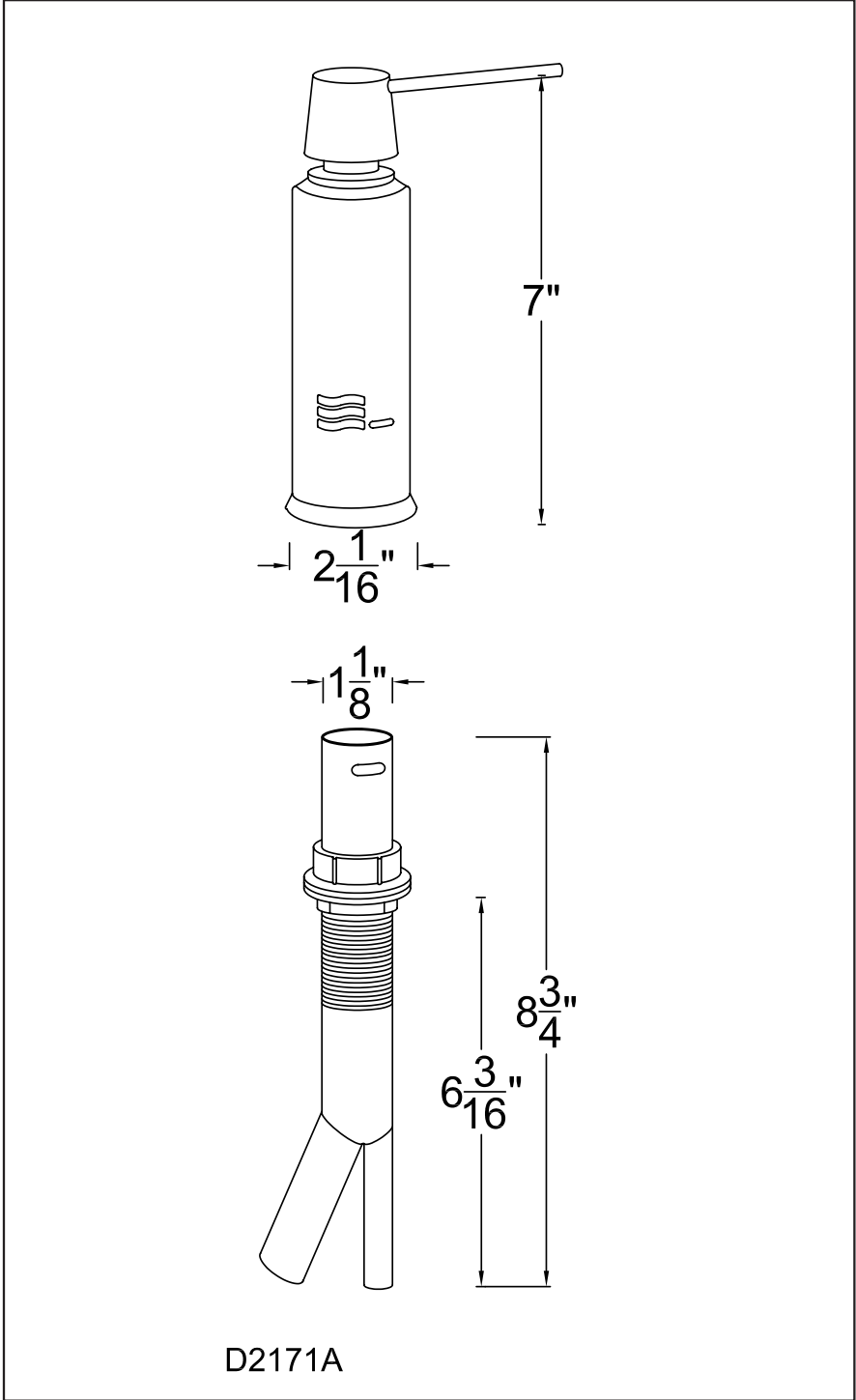


D2171A

COMBINATION AIR GAPS

D2171A Combination Air Gap/Soap and lotion dispenser. Plastic body with brass head. Snap on type (includes air gap body). Heavy duty Style.



WESTBRASS

2429 E. Olympic Blvd. Los Angeles, CA 90021
Phone: 213-627-8441 Fax: 213-627-2844
www.westbrass.com info@westbrass.com