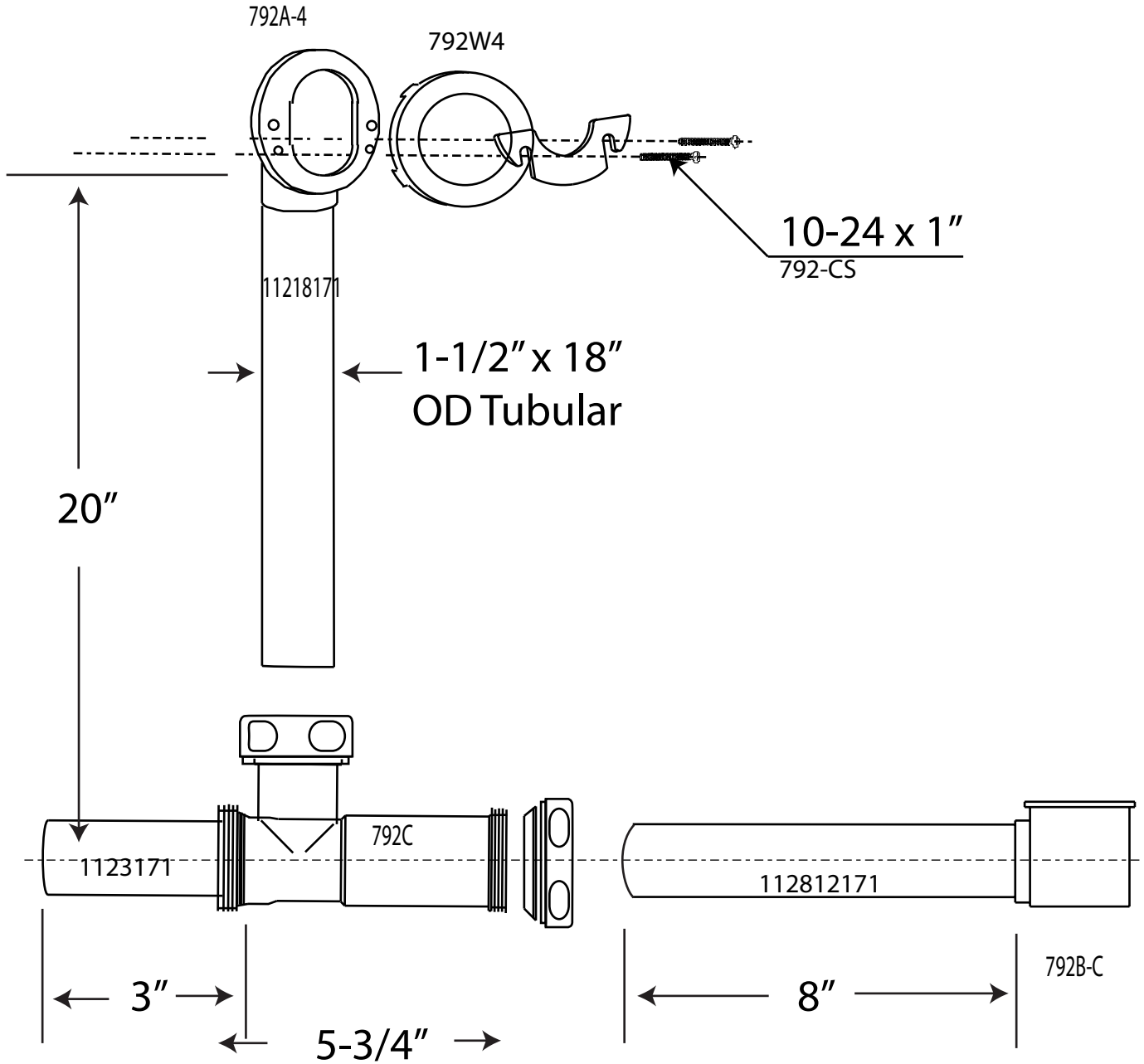


PART NO. 7931817LT-AF

SPECIFICATION SHEET

Brass Rear Outlet Bath Tub Waste
Rough Drain Closure - Requires Trim



WESTBRASS

Fine Decorative Plumbing Since 1935

info@westbrass.com | www.westbrass.com | (213) 627-8441 | FAX (213) 627-2844