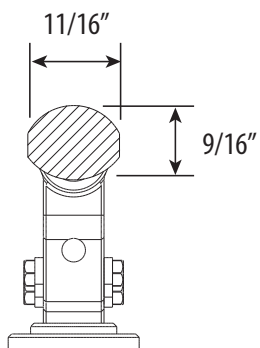
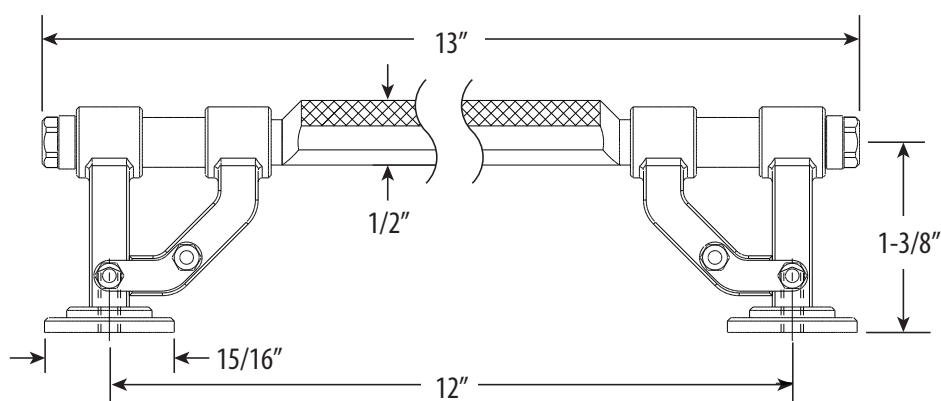


INDUSTRIAL 12" HEAVY DUTY DRAWER HANDLE PULL

HIP-1200

- Break to length screws
- Fits materials from 1/2" to 1-1/2" thick



END VIEW

DIMENSIONS MAY VARY AND ARE SUBJECT TO CHANGE. NO RESPONSIBILITY IS ASSUMED FOR USE OF SUPERCEDED OR VOIDED DATA