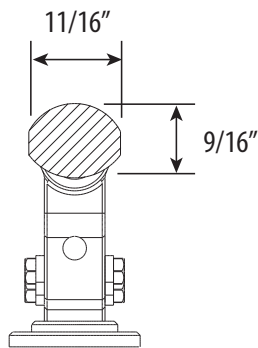
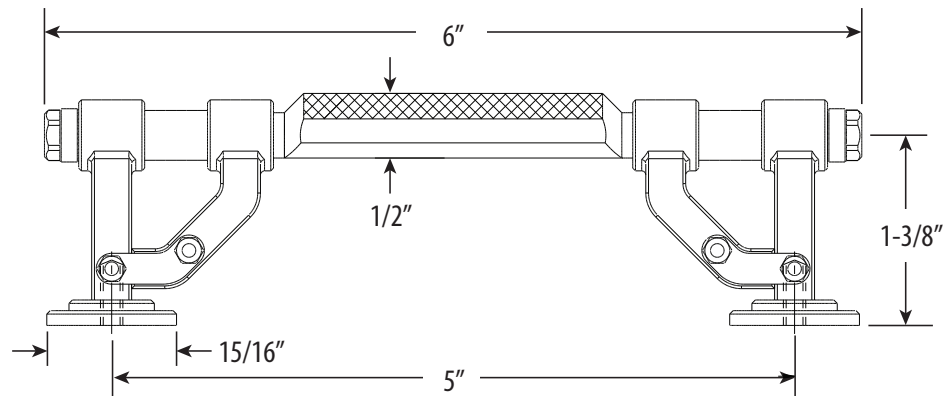


INDUSTRIAL 5" HANDLE PULL

HIP-0500

- Break to length screws
- Fits materials from 1/2" to 1-1/2" thick



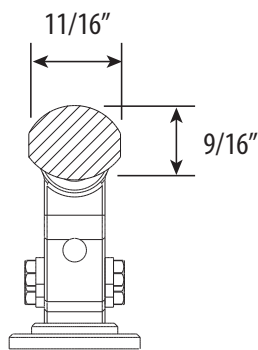
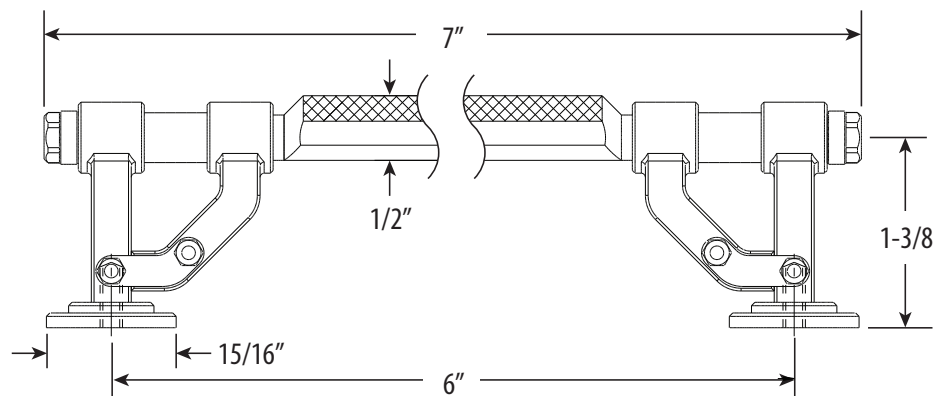
**END VIEW**

DIMENSIONS MAY VARY AND ARE SUBJECT TO CHANGE. NO RESPONSIBILITY IS ASSUMED FOR USE OF SUPERCEDED OR VOIDED DATA

INDUSTRIAL 6" HANDLE PULL

HIP-0600

- Break to length screws
- Fits materials from 1/2" to 1-1/2" thick



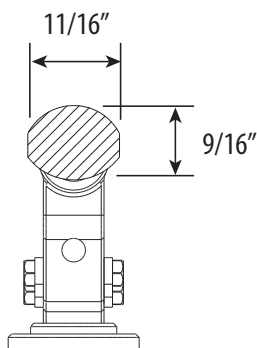
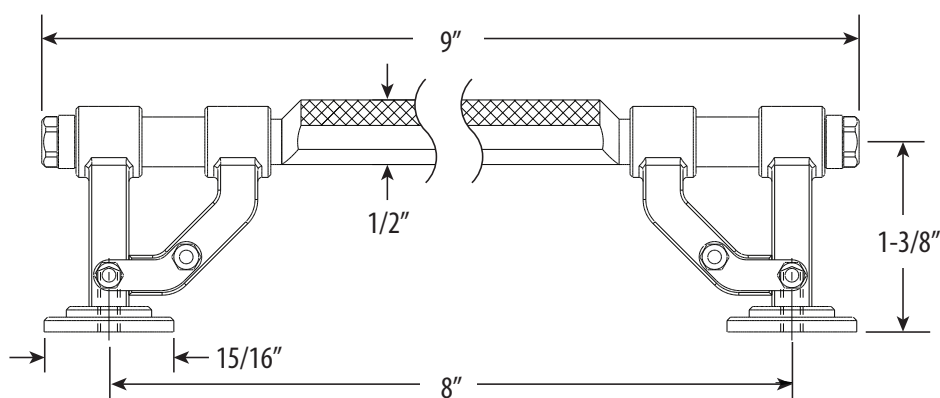
END VIEW

DIMENSIONS MAY VARY AND ARE SUBJECT TO CHANGE. NO RESPONSIBILITY IS ASSUMED FOR USE OF SUPERCEDED OR VOIDED DATA

INDUSTRIAL 8" HANDLE PULL

HIP-0800

- Break to length screws
- Fits materials from 1/2" to 1-1/2" thick



END VIEW

DIMENSIONS MAY VARY AND ARE SUBJECT TO CHANGE. NO RESPONSIBILITY IS ASSUMED FOR USE OF SUPERCEDED OR VOIDED DATA