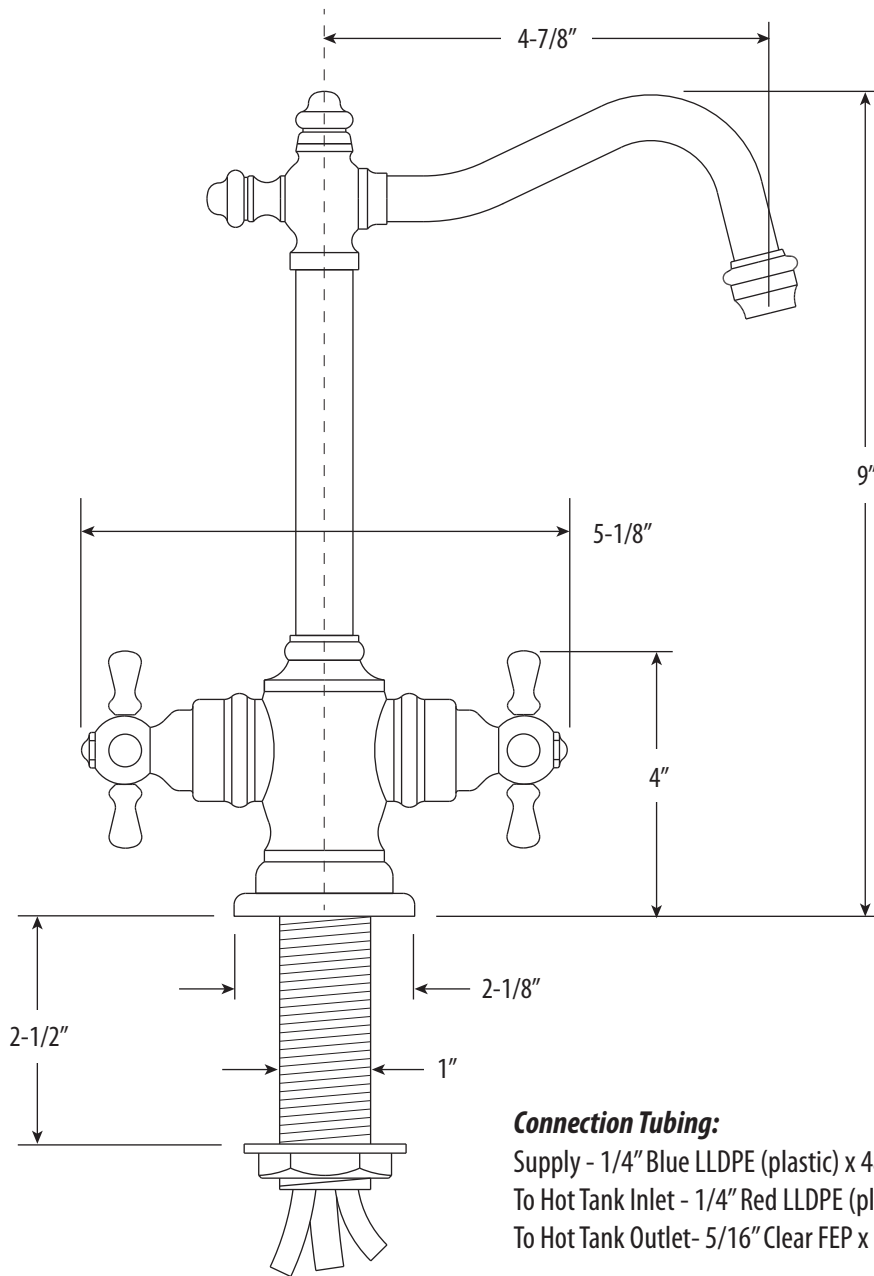


ANNAPOLIS HOT AND COLD FILTRATION FAUCET / CROSS HANDLES 1150HC

- Max Counter Thickness 2-1/2"
- Install Hole Size Adaptable Up to 1-3/8"



DIMENSIONS MAY VARY AND ARE SUBJECT TO CHANGE. NO RESPONSIBILITY IS ASSUMED FOR USE OF SUPERCEDED OR VOIDED DATA

ANNAPOLIS HOT AND COLD FILTRATION FAUCET / CROSS HANDLES 1150HC



Finish Shown - Antique Pewter

FEATURES

- Hot and cold filtered water on demand.
- For use with Waterstone Ultimate Filtration System.
- Part of the traditional Annapolis Suite.
- Hook spout has 4-7/8" reach and can swivel 360 degrees.
- 1.1 gpm maximum flow rate.
- Ergonomic dual cross handles.
- Resistant to reverse osmosis water.
- Made from solid brass.
- 1/4 turn ceramic disk valve cartridges.
- Lifetime functional warranty.
- Made in the USA.

CODES/STANDARDS APPLICABLE

Specified model meets or exceeds the following:

- **ASME A112.18.1**
- **CSA B125.1**
- **NSF 61, 372**
- **CALGreen**



AVAILABLE IN 30 FINISHES