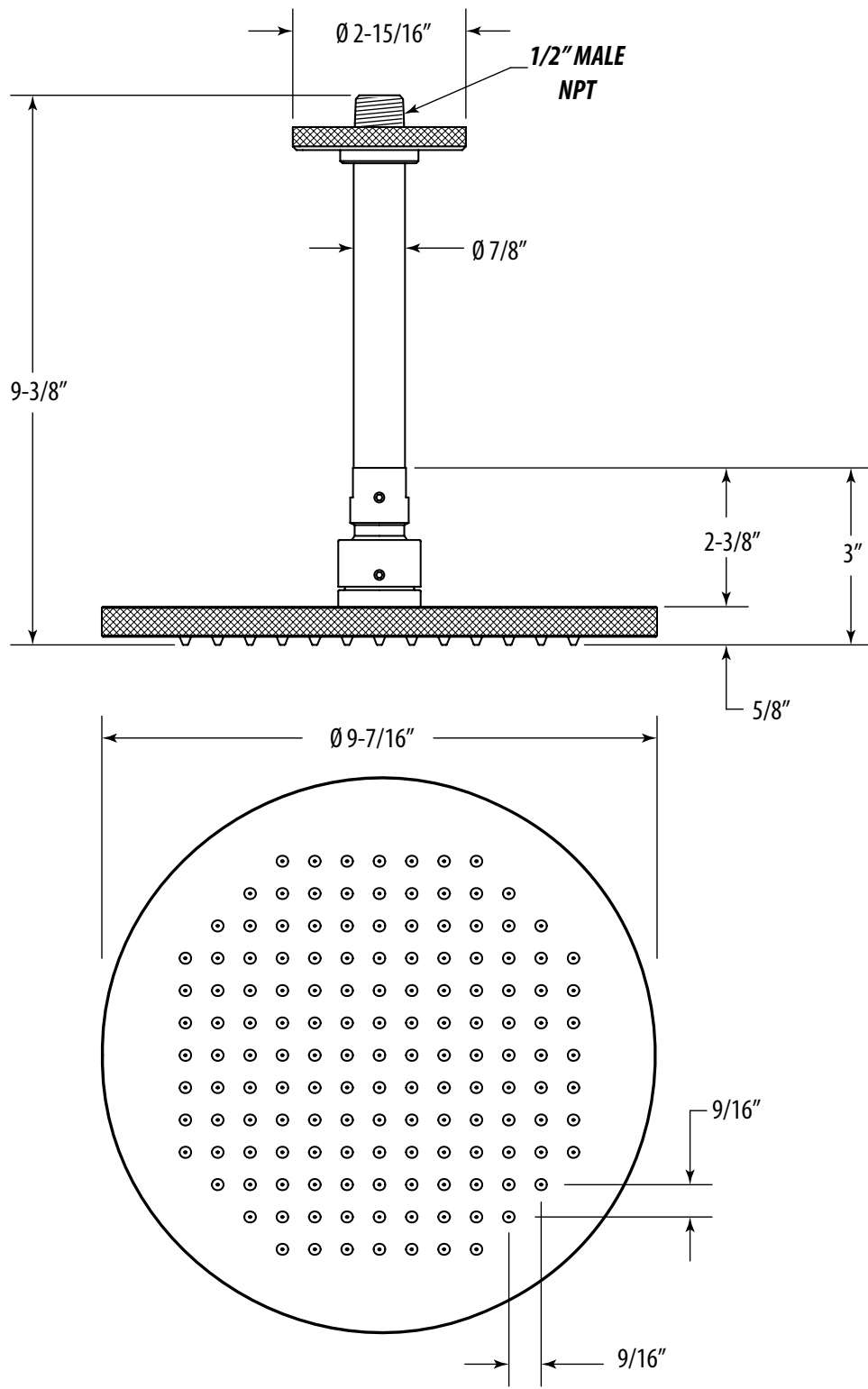


9-1/2" ROUND INDUSTRIAL RAIN SHOWER HEAD

RS256-2



DIMENSIONS MAY VARY AND ARE SUBJECT TO CHANGE. NO RESPONSIBILITY IS ASSUMED FOR USE OF SUPERCEDED OR VOIDED DATA

