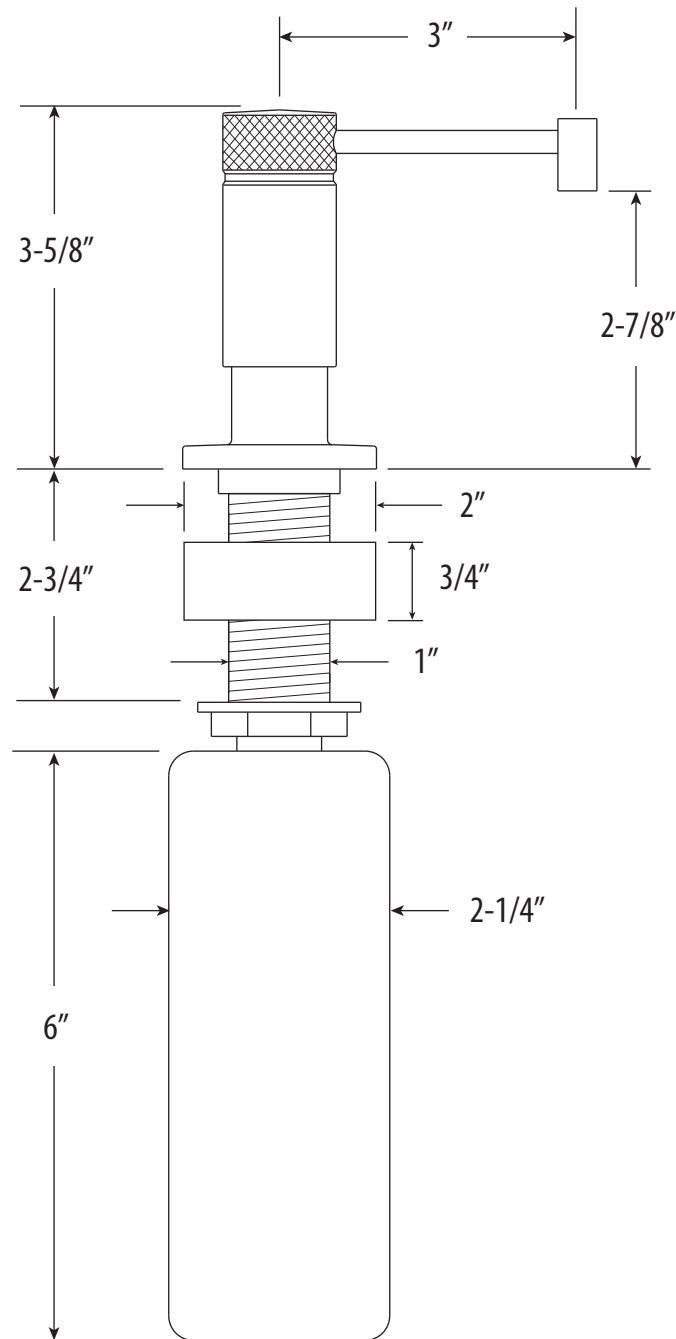


INDUSTRIAL SOAP/LOTION DISPENSER

9065

- Max Counter Thickness 2-3/8"
- Install Hole Size Adaptable Up to 1-3/8"



 **ECO BRASS**
HIGH PERFORMANCE LEAD FREE BRASS

DIMENSIONS MAY VARY AND ARE SUBJECT TO CHANGE. NO RESPONSIBILITY IS ASSUMED FOR USE OF SUPERCEDED OR VOIDED DATA

INDUSTRIAL SOAP/LOTION DISPENSER

9065



Finish Shown - Polished Nickel

FEATURES

- Modern knurling design matches any Industrial PLP Pulldown Faucet.
- Replaces unsightly soap bottles.
- High volume 2cc pump.
- Pump can be removed to refill soap from top of sink.
- Removable head for easy internal cleaning.
- Internal Teflon rings for smooth, non-wobble pump action and solid feel.
- Anti-wick tip helps protect delicate patina finishes.
- Made from solid brass or 316 stainless steel.
- 12 oz. capacity (approx).
- Made in the USA.

CODES/STANDARDS APPLICABLE

Specified model meets or exceeds the following:

- **ASME A112.18.1**
- **CSA B125.1**
- **NSF 61**
- **CALGreen**

AVAILABLE IN 32 FINISHES + SOLID 316 MARINE GRADE STAINLESS STEEL