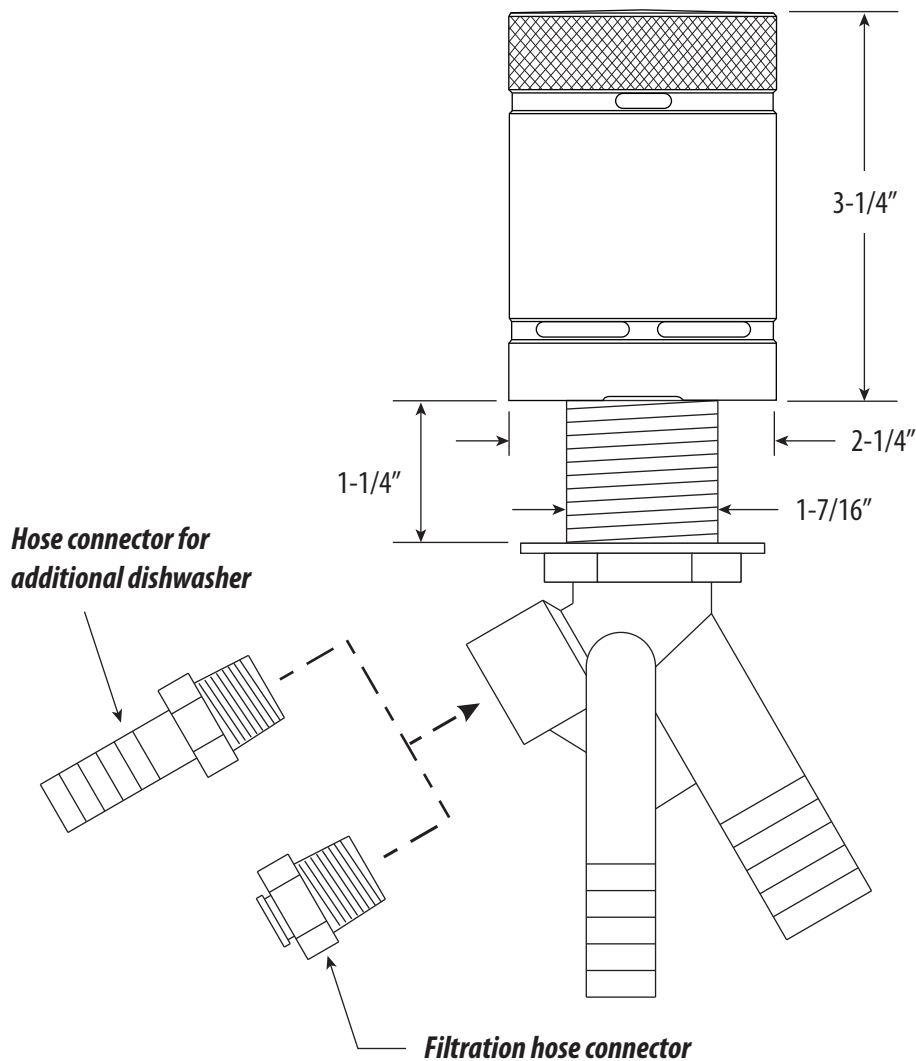


## INDUSTRIAL DUAL PORT AIR GAP

# 9030

- Max Counter Thickness 1-1/4"
- Install Hole Size Adaptable Up to 1-1/2"



**DIMENSIONS MAY VARY AND ARE SUBJECT TO CHANGE. NO RESPONSIBILITY IS ASSUMED FOR USE OF SUPERCEDED OR VOIDED DATA**

## INDUSTRIAL DUAL PORT AIR GAP

# 9030



Finish Shown - Stainless Steel

### **FEATURES**

- Prevents dishwasher back flow and dirt buildup.
- Includes adapters for either a 2nd dishwasher or a reverse osmosis filtration port.
- Modern knurling design matches any Industrial PLP Pulldown Faucet.
- Cover hides upper nut and washer edges.
- Made from solid brass or 316 stainless steel.
- Made in the USA.

### **CODES/STANDARDS APPLICABLE**

Specified model meets or exceeds the following:

- **UPC**

AVAILABLE IN 32 FINISHES + SOLID 316 MARINE GRADE STAINLESS STEEL