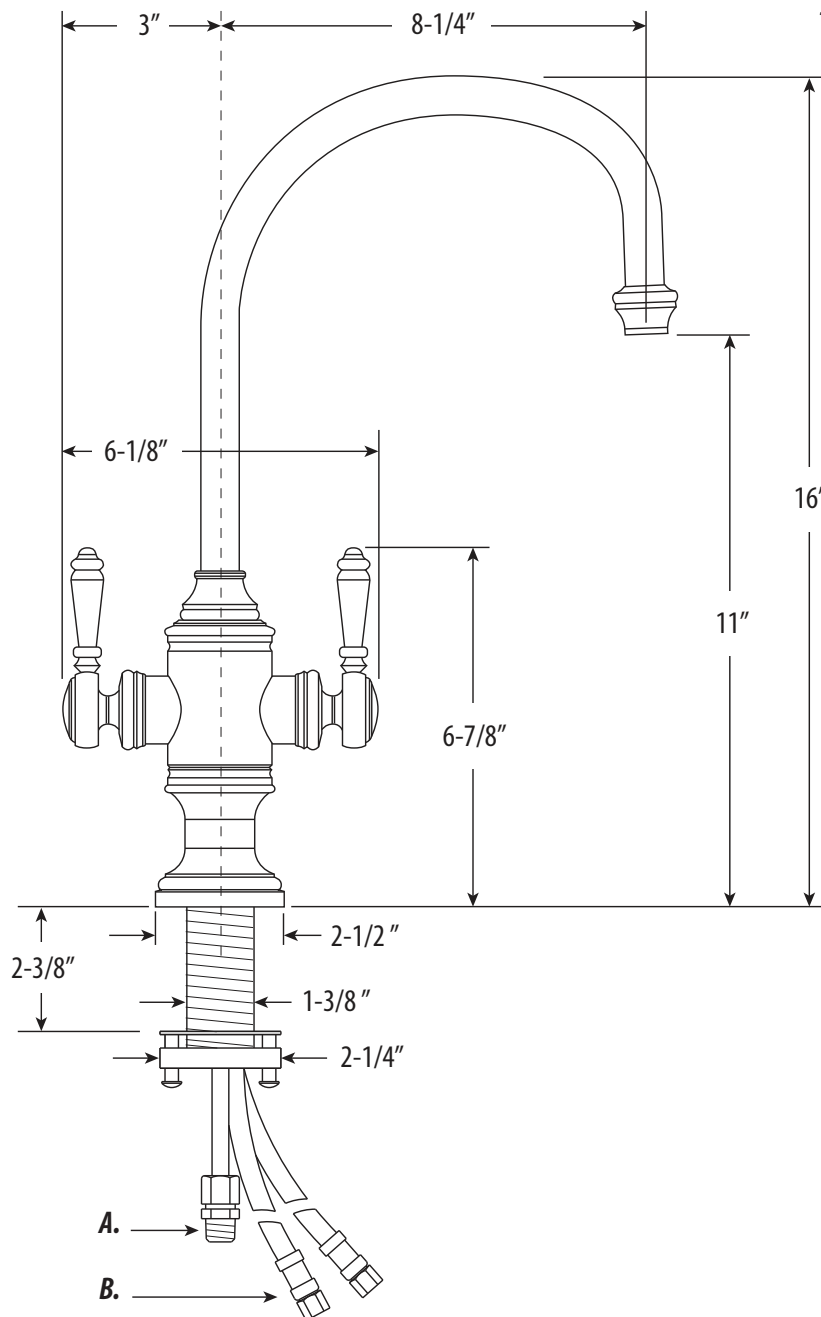


HAMPTON TWO HANDLE KITCHEN FAUCET

8030

- Max Counter Thickness 2-3/8"
- Minimum Install Hole Size 1-1/2"

- A. Side Spray Connection with 1/4" NPT Pipe Fitting
- B. Supply Hoses - 20" Long with 3/8" Compression Fittings



ECO BRASS
HIGH PERFORMANCE LEAD FREE BRASS

DIMENSIONS MAY VARY AND ARE SUBJECT TO CHANGE. NO RESPONSIBILITY IS ASSUMED FOR USE OF SUPERCEDED OR VOIDED DATA

HAMPTON TWO HANDLE KITCHEN FAUCET

8030



Finish Shown - Polished Nickel

FEATURES

- Part of the traditional Hampton Suite.
- C-spout has 8-1/4" reach and can swivel 360 degrees.
- Hot and cold dual lever control with ceramic disk valve cartridges.
- Adjustable handle brake system provides smooth pull and prevents sagging.
- Equipped with spray diverter and 1/4" NPT pipe fitting connection for optional side spray.
- 1.75 gpm maximum flow rate with aerated tip.
- Resistant to reverse osmosis water.
- Made from solid brass.
- Includes 2 handle button options.
- Reinforced braided connection hoses.
- ADA Compliant.
- Cal Green.
- Lifetime functional warranty.
- Made in the USA.

CODES/STANDARDS APPLICABLE

Specified model meets or exceeds the following:

- **ASME A112.18.1**
- **CSA B125.1**
- **NSF 61, 372**
- **CALGreen**
- **ADA Compliant**



AVAILABLE IN 30 FINISHES