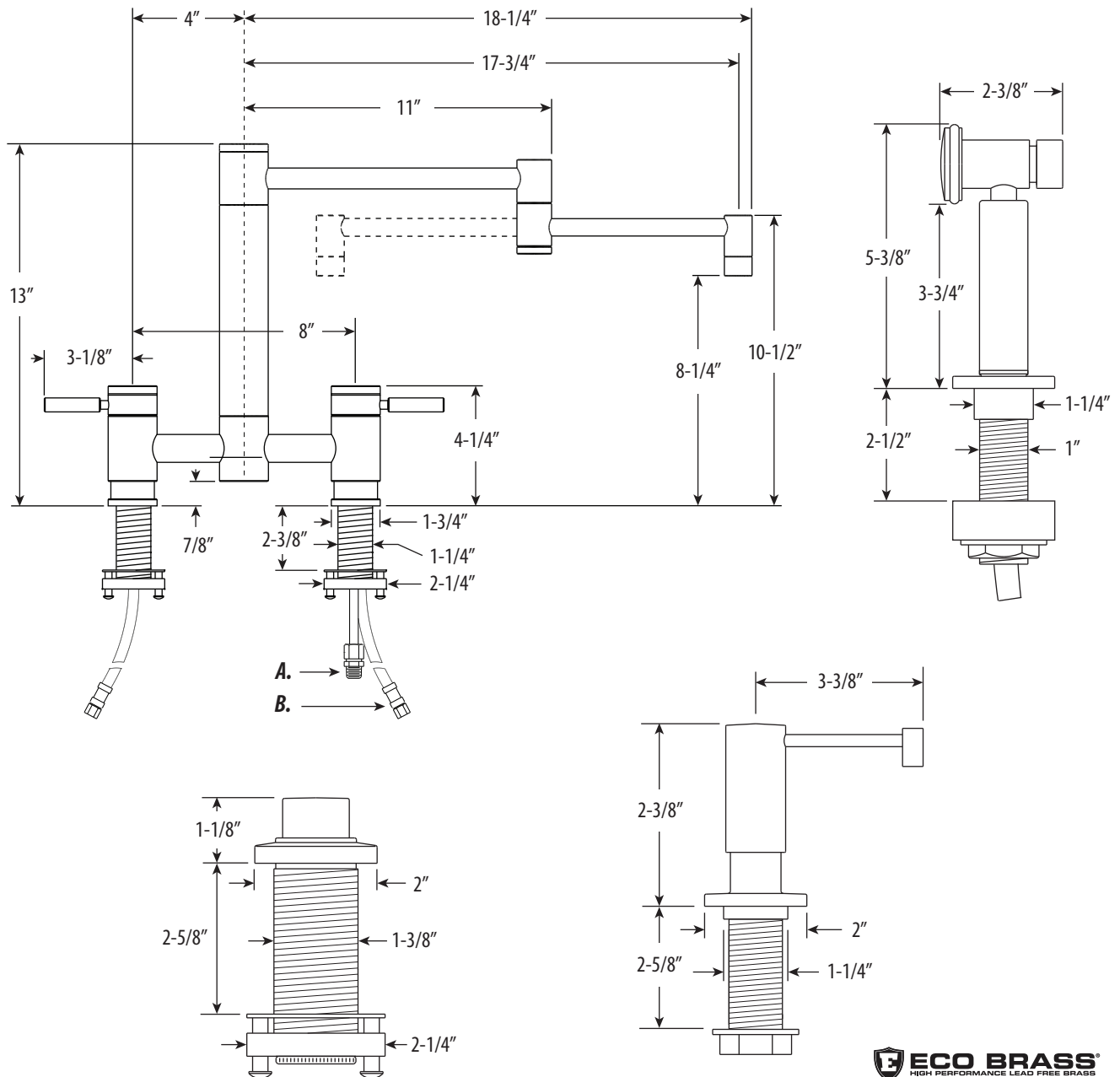


HUNLEY BRIDGE FAUCET / 18" ARTICULATED SPOUT / 3PC. SUITE

7600-18-3

- Max Counter Thickness 2-3/8"
- Minimum Install Hole Size 1-3/8"

- A. Side Spray Connection with 1/4" NPT Pipe Fitting
- B. Supply Hoses - 20" Long with 3/8" Compression Fittings



DIMENSIONS MAY VARY AND ARE SUBJECT TO CHANGE. NO RESPONSIBILITY IS ASSUMED FOR USE OF SUPERCEDED OR VOIDED DATA

HUNLEY BRIDGE FAUCET / 18" ARTICULATED SPOUT / 3PC. SUITE

7600-18-3



Finish Shown - Chrome

FEATURES

- Suite includes faucet, side spray, soap/lotion dispenser and air switch.
- Part of the contemporary Hunley Suite.
- Two-holed Bridge Faucet design mounts 8" on center.
- Articulated spout has 18" reach and can swivel 360 degrees.
- Equipped with spray diverter and 1/4" NPT pipe fitting connection for optional side spray.
- Ergonomic double lever handles.
- ADA compliant.
- Hot and cold ceramic disk valve cartridges.
- 1.75 gpm maximum flow rate with aerated tip.
- Resistant to reverse osmosis water.
- Made from solid brass or 316 stainless steel.
- Reinforced braided connection hoses.
- Reversible or removable hot/cold indicator rings.
- Lifetime functional warranty.
- Made in the USA.

CODES/STANDARDS APPLICABLE

Specified model meets or exceeds the following:

- ASME A112.18.1
- CSA B125.1
- NSF 61, 372
- CALGreen
- ADA Compliant



AVAILABLE IN 30 FINISHES + SOLID 316 MARINE GRADE STAINLESS STEEL