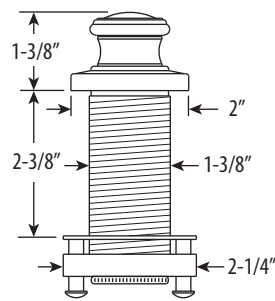
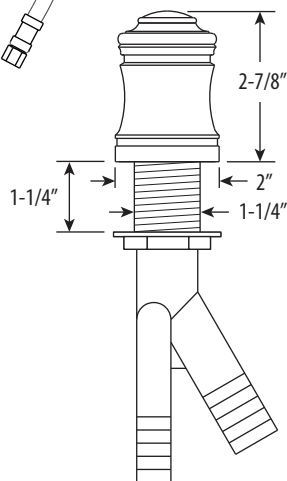
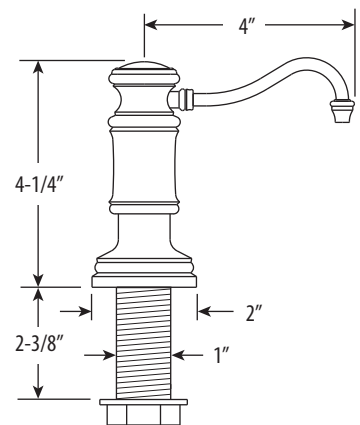
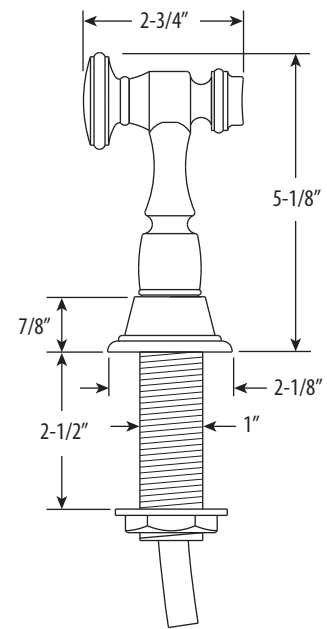
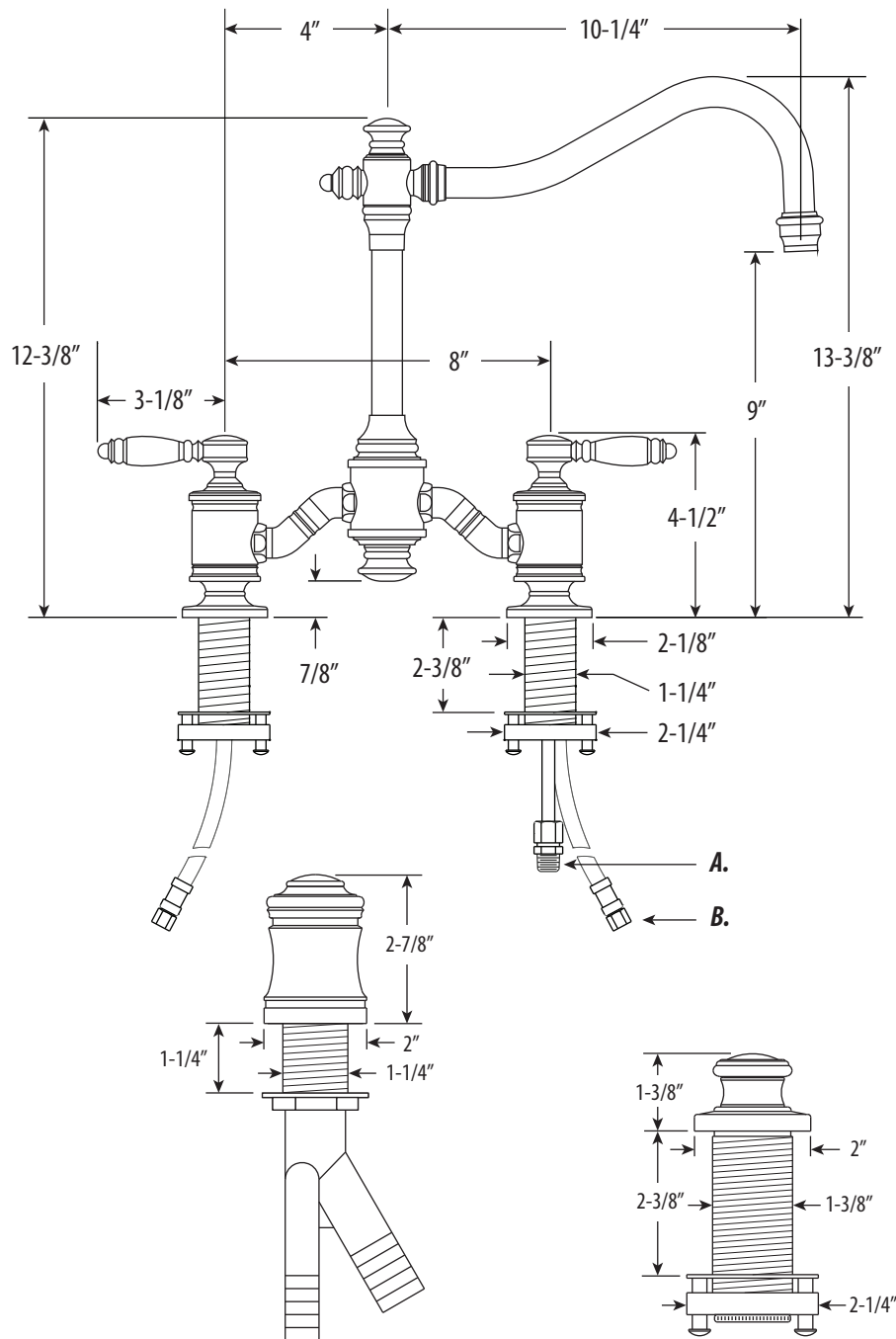


ANNAPOLIS BRIDGE FAUCET / LEVER HANDLES / 4PC. SUITE

6200-4

- Max Counter Thickness 2-3/8"
- Minimum Install Hole Size 1-3/8"

- A. Side Spray Connection with 1/4" NPT Pipe Fitting
- B. Supply Hoses - 20" Long with 3/8" Compression Fittings



DIMENSIONS MAY VARY AND ARE SUBJECT TO CHANGE. NO RESPONSIBILITY IS ASSUMED FOR USE OF SUPERCEDED OR VOIDED DATA

ANNAPOLIS BRIDGE FAUCET / LEVER HANDLES / 4PC. SUITE

6200-4



Finish Shown - Antique Pewter

AVAILABLE IN 30 FINISHES

FEATURES

- Suite includes faucet, side spray, soap/lotion dispenser, air switch and single port air gap.
- Part of the traditional Annapolis Suite.
- Two-holed Bridge Faucet design mounts 8" on center.
- Hook spout has 10-1/4" reach and can swivel 360 degrees.
- Equipped with spray diverter and 1/4" NPT pipe fitting connection for optional side spray.
- Ergonomic double lever handles.
- ADA compliant.
- Hot and cold ceramic disk valve cartridges.
- 1.75 gpm maximum flow rate with aerated tip.
- Resistant to reverse osmosis water.
- Made from solid brass.
- Reinforced braided connection hoses.
- Includes 4 handle button options.
- Lifetime functional warranty.
- Made in the USA.

CODES/STANDARDS APPLICABLE

Specified model meets or exceeds the following:

- ASME A112.18.1
- CSA B125.1
- NSF 61, 372
- CALGreen
- ADA Compliant

