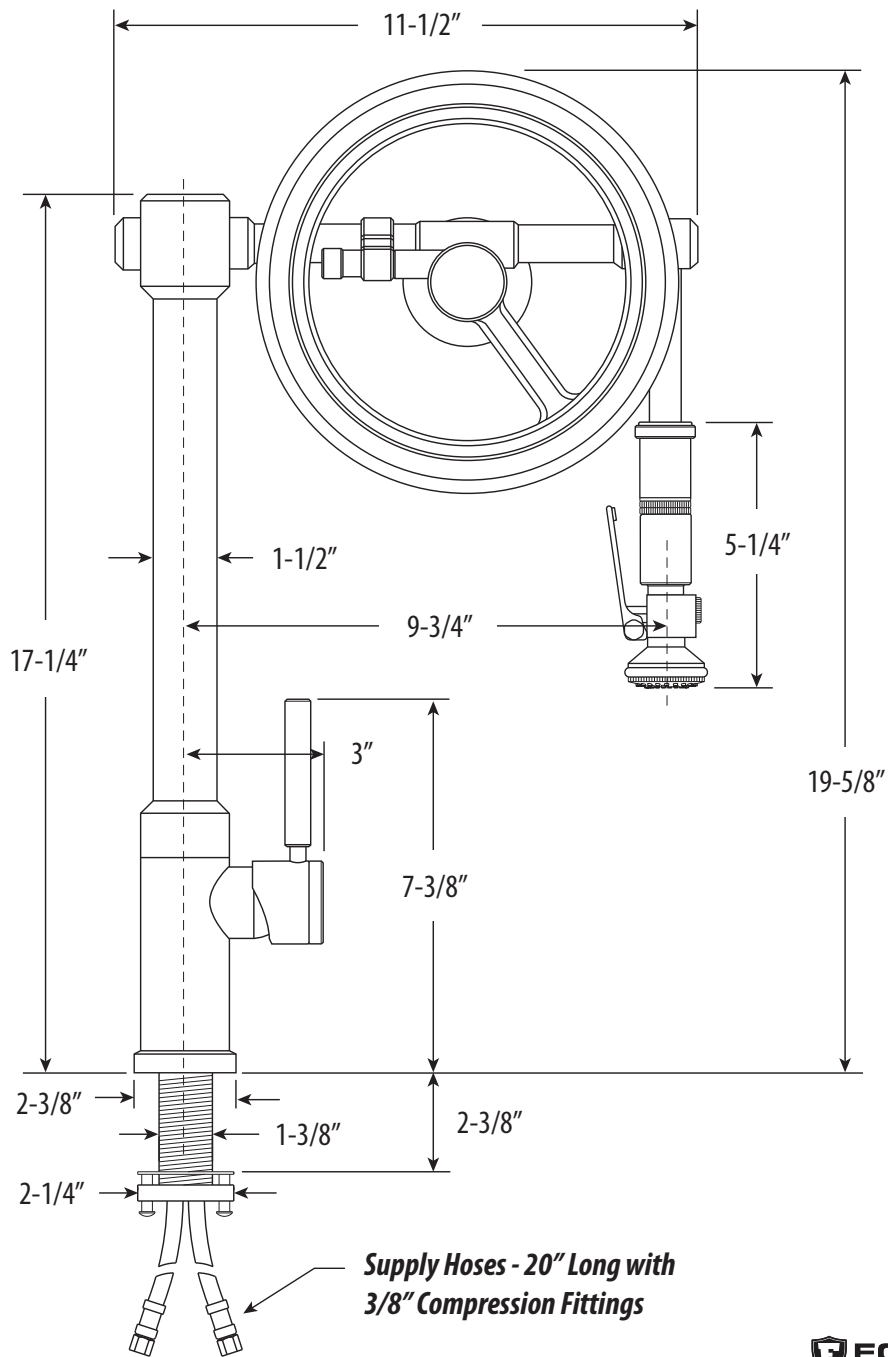


## ENDEAVOR WHEEL PULLDOWN FAUCET / LEVER SPRAYER

# 5130

- Max Counter Thickness 2-3/8"
- Minimum Install Hole Size 1-1/2"



***DIMENSIONS MAY VARY AND ARE SUBJECT TO CHANGE. NO RESPONSIBILITY IS ASSUMED FOR USE OF SUPERCEDED OR VOIDED DATA***

## ENDEAVOR WHEEL PULLDOWN FAUCET / LEVER SPRAYER

# 5130



Finish Shown - Polished Nickel

### FEATURES

- Innovative and modern mono-spoke design.
- The Wheel spring technology gives the sprayer an easy, smooth pull.
- Pulley braking system prevents handle snap back when released.
- Thinner, sleek faucet body design.
- Wheel has 9-3/4" reach and can swivel 360 degrees.
- Lever handle spray head pulls out 20" from spout.
- Sprayer instantly diverts water from aerated stream to wide spray when lever handle is held.
- 1.75 gpm maximum flow rate with aerated tip.
- Innovative wave spring handle tension system prevents sagging and requires no adjustment.
- Single handle can mount in front, right or left hand positions.
- When mounted on side, handle can adjust 22.5 degrees for backsplash clearance.
- Hot/cold ceramic disk valve cartridge.
- Resistant to reverse osmosis water.
- Made from eco-friendly solid brass.
- 20" reinforced braided connection hoses with 3/8" compression fitting.
- Includes reversible or removable hot/cold indicator ring.

### CODES/STANDARDS APPLICABLE

Specified model meets or exceeds the following:

- **ASME A112.18.1**
- **CSA B125.1**
- **NSF 61, 372**
- **CALGreen**



AVAILABLE IN 32 FINISHES