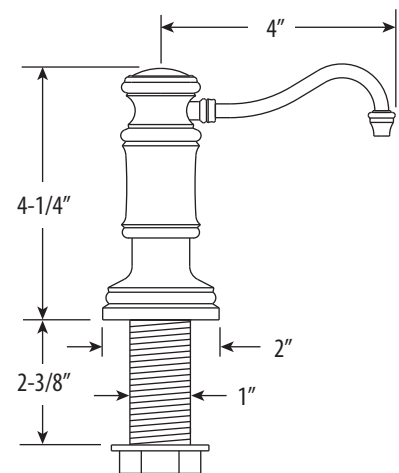
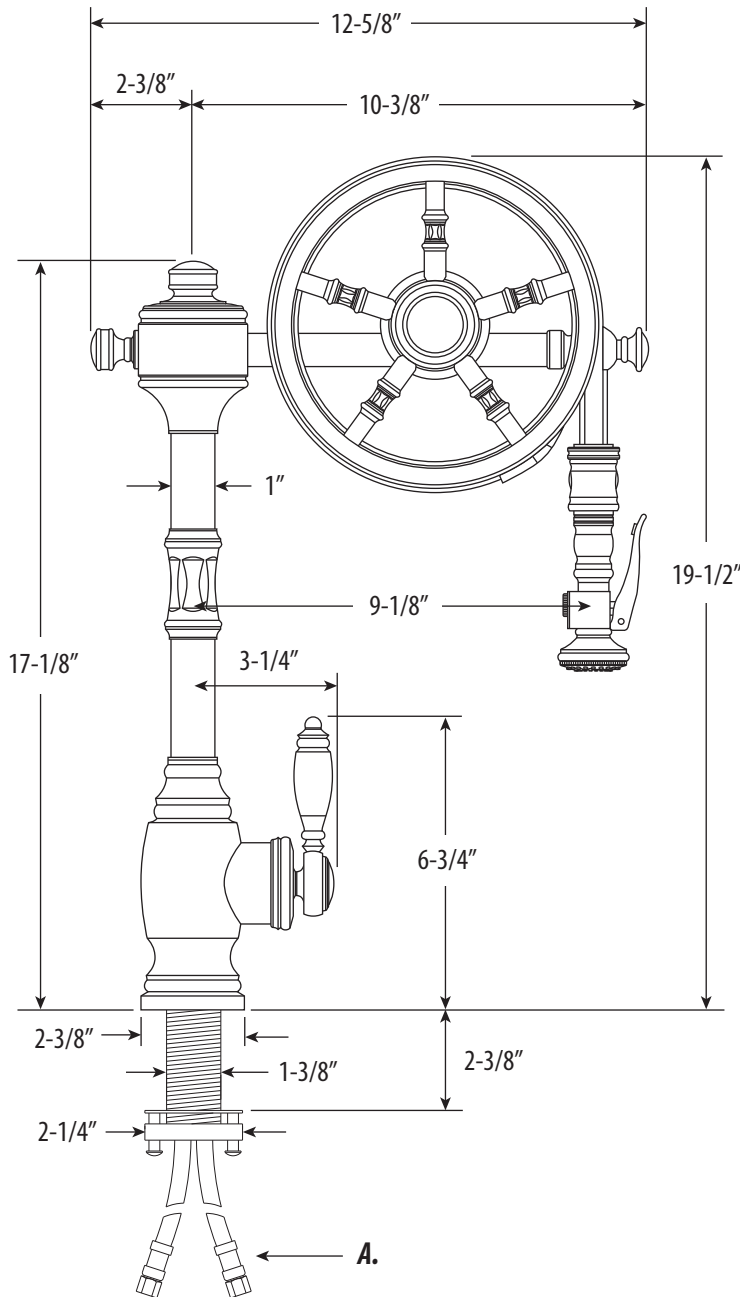


## TRADITIONAL WHEEL PULLDOWN FAUCET / 2PC. SUITE

# 5100-2

- Max Counter Thickness 2-3/8"
- Minimum Install Hole Size 1-1/2"

*A. Supply Hoses - 20" Long with 3/8" Compression Fittings*



***DIMENSIONS MAY VARY AND ARE SUBJECT TO CHANGE. NO RESPONSIBILITY IS ASSUMED FOR USE OF SUPERCEDED OR VOIDED DATA***

## TRADITIONAL WHEEL PULLDOWN FAUCET / 2PC. SUITE

# 5100-2



Finish Shown - American Bronze

### FEATURES

- Suite includes faucet and soap/lotion dispenser.
- One-of-a-kind 5-spoke wheel design.
- The Wheel spring technology gives the sprayer an easy, smooth pull.
- Pulley braking system prevents handle snap back when released.
- The Wheel has 9-1/8" reach and can swivel 360 degrees.
- Lever handle spray head pulls out 20" from spout.
- Sprayer instantly diverts water from aerated stream to wide spray when lever handle is held.
- 1.75 gpm maximum flow rate with aerated tip.
- Handle ring can be adjusted to preferred push/pull tension and prevents sag.
- Single handle can mount in front, right or left hand positions.
- When mounted on side, handle can adjust 45 degrees for backsplash clearance.
- Hot/cold ceramic disk valve cartridge.
- Resistant to reverse osmosis water.
- Made from eco-friendly solid brass.
- 20" reinforced braided connection hoses with 3/8" compression fitting.
- Includes 3 handle button options.

### CODES/STANDARDS APPLICABLE

Specified model meets or exceeds the following:

- ASME A112.18.1
- CSA B125.1
- NSF 61, 372
- CALGreen



AVAILABLE IN 32 FINISHES