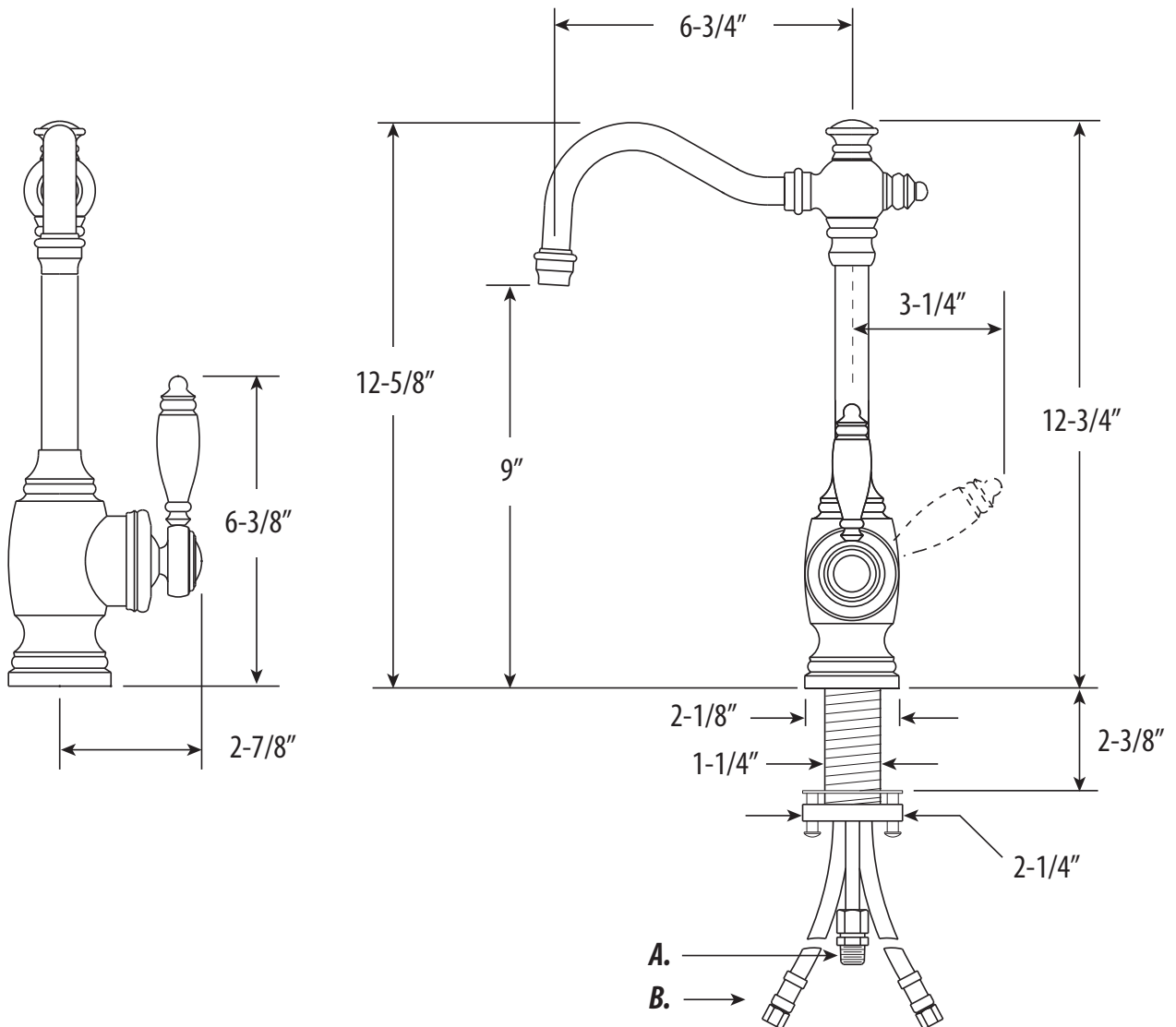


ANNAPOLIS PREP FAUCET

4800

- Max Counter Thickness 2-3/8"
- Minimum Install Hole Size 1-3/8"

- A. Side Spray Connection with 1/4" NPT Pipe Fitting
- B. Supply Hoses - 20" Long with 3/8" Compression Fittings



ECO BRASS
HIGH PERFORMANCE LEAD FREE BRASS

DIMENSIONS MAY VARY AND ARE SUBJECT TO CHANGE. NO RESPONSIBILITY IS ASSUMED FOR USE OF SUPERCEDED OR VOIDED DATA

ANNAPOLIS PREP FAUCET

4800



Finish Shown - Antique Pewter

FEATURES

- Full size Kitchen Faucet with smaller reach.
- Perfect for smaller island sinks.
- Part of the traditional Annapolis Suite.
- Hook spout has 6-3/4" reach and can swivel 360 degrees.
- Equipped with spray diverter and 1/4" NPT pipe fitting connection for optional side spray.
- 1.75 gpm maximum flow rate with aerated tip.
- Ergonomic single lever handle.
- Adjustable tension ring helps handle feel and prevents sag.
- Single handle can mount in front, right or left hand positions.
- When mounted on side, handle can adjust 45 degrees for backsplash clearance.
- Hot/cold ceramic disk valve cartridge.
- Made from solid brass.
- Resistant to reverse osmosis water.
- Reinforced braided connection hoses.
- Includes 3 handle button options.
- Lifetime functional warranty.
- Made in the USA.

CODES/STANDARDS APPLICABLE

Specified model meets or exceeds the following:

- ASME A112.18.1
- CSA B125.1
- NSF 61, 372
- CALGreen



AVAILABLE IN 30 FINISHES