

CONTEMPORARY GANTRY FAUCET - 12" ARTICULATED SPOUT



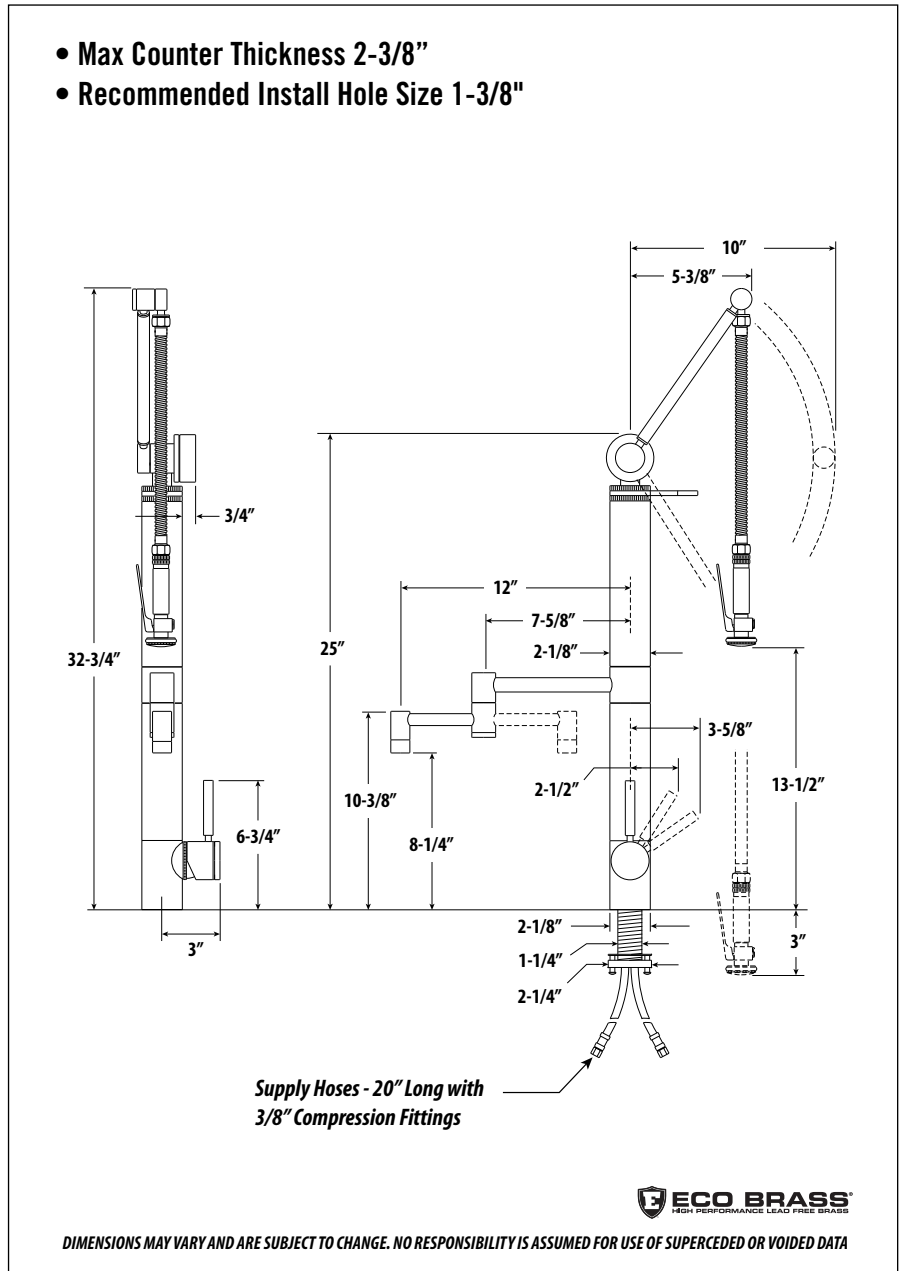
Product Description

- Solid Brass or Stainless Steel construction.
- Ceramic disk valve cartridge.
- Removable Hot/Cold indicator ring.
- 1.75 gpm maximum flow rate with aerated tip.
- Lever handle.
- Handle adjusts 45 degrees in either direction for clearance from backsplash.
- Reinforced braided connection hoses.
- Adjustable PTFE "Friction Lock" aids handle feel and prevents sag.
- 12" articulated spout.
- Spout swivels 360 degrees.

Codes/Standards Applicable

Specified model meets or exceeds the following:

- ASME A112.18.1
- CSA B125.1
- NSF 61
- CALGreen



Finishes Available

FINISHES AVAILABLE:

Almond - 01

Antique Brass - AB

Antique Bronze - ABZ

Antique Copper - AC

American Bronze - AMB

Antique Pewter - AP

Black - 06

Black Nickel - BLN

Black-Oil Rubbed Bronze - ORB

Biscuit - 07

Caribbean Bronze - CB

Chocolate Bronze - CHB

Chrome - CH

Distressed Antique Brass - DAB

Distressed Antique Copper - DAC

Distressed American Bronze - DAMB

Distressed Antique Pewter - DAP

Euro-White - EW

Matte Black - MB

Polished Brass - PB

Polished Copper - PC

Polished Gold - PG

Polished Nickel - PN

Satin Chrome - SC

Satin Gold - SG

Satin Nickel - SN

Stainless Steel - SS*

Tuscan Brass - TB

Venetian Bronze - VB

Weathered Brass - WB

Weathered Copper - WC

White - WT