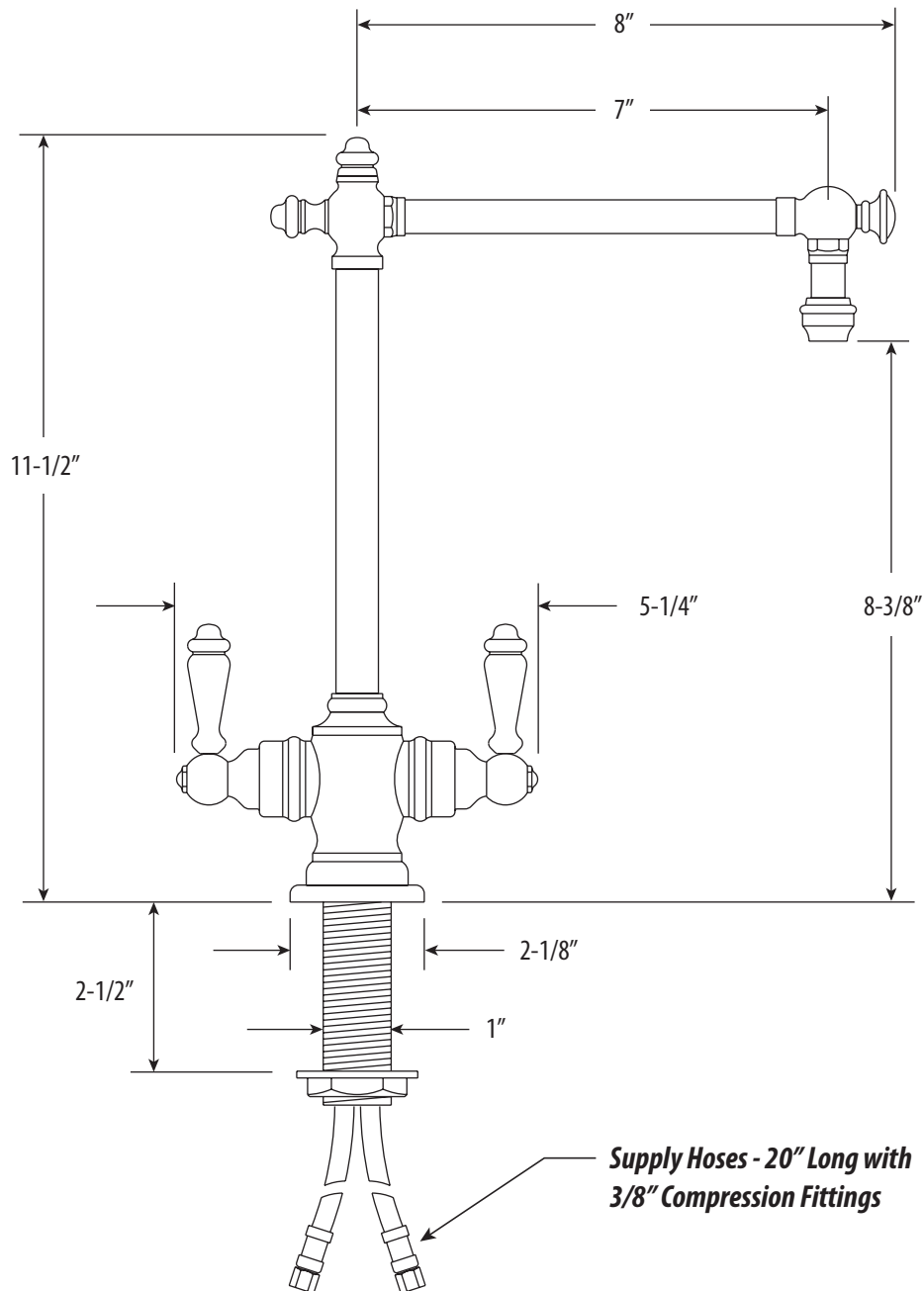


TOWSON BAR FAUCET / LEVER HANDLES

1800

- Max Counter Thickness 2-1/2"
- Install Hole Size Adaptable Up to 1-3/8"



DIMENSIONS MAY VARY AND ARE SUBJECT TO CHANGE. NO RESPONSIBILITY IS ASSUMED FOR USE OF SUPERCEDED OR VOIDED DATA

TOWSON BAR FAUCET / LEVER HANDLES

1800



Finish Shown - Satin Nickel

FEATURES

- Perfect for wet bars, kitchen islands and entertainment areas.
- Part of the traditional Towson Suite.
- Straight spout has 7" reach and can swivel 360 degrees.
- 1.7 gpm maximum flow rate with aerated tip.
- 1/4 turn ceramic disk valve cartridges.
- Ergonomic dual lever handles.
- Resistant to reverse osmosis water.
- Made from eco-friendly solid brass.
- Removable aerator tip for easy cleaning.
- 3/8" compression connections.
- Reinforced braided connection hoses.
- Lifetime functional warranty.
- Made in the USA.

CODES/STANDARDS APPLICABLE

Specified model meets or exceeds the following:

- **ASME A112.18.1**
- **CSA B125.1**
- **NSF 61, 372**
- **CALGreen**
- **ADA compliant**



AVAILABLE IN 32 FINISHES + SOLID 316 MARINE GRADE STAINLESS STEEL