

PEMBROKE BAR FAUCET SPECS - LEVER HANDLES

Model # 1502



PRODUCT DESCRIPTION

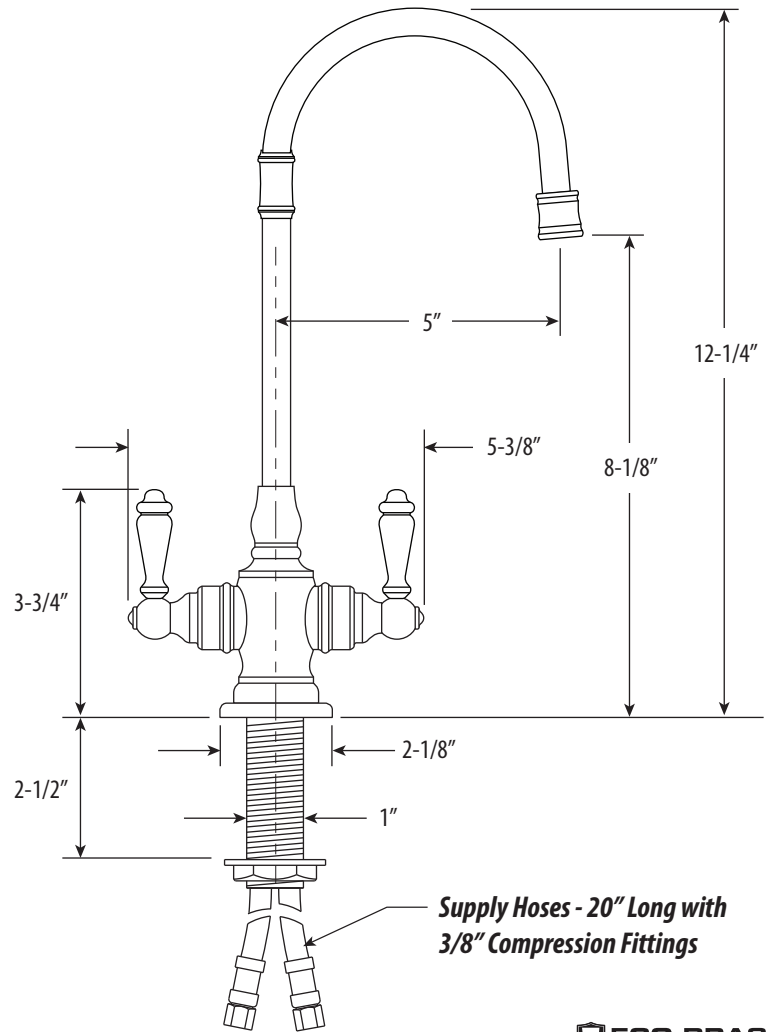
- Ideal for wet bars, kitchen islands and entertainment areas.
- Perfect compliment to traditional Pulldown Faucets.
- Decorative spout tip matches PLP Pulldown design.
- Unique C-spout with 5" reach.
- Double lever handles.
- 1/4 turn ceramic disk valve cartridges.
- Made from solid Eco Brass.
- 360 degree swivel spout.
- Removable aerator tip for easy cleaning.
- Compatible with Reverse Osmosis filtration systems.
- 3/8" compression connection.
- Reinforced braided connection hoses.
- Lifetime functional warranty.
- Made in the USA.

CODES/STANDARDS APPLICABLE

Specified model meets or exceeds the following:

- ASME A112.18.1
- CSA B125.1
- NSF 61, 372
- CALGreen
- ADA Compliant

- Max Counter Thickness 2-1/2"
- Install Hole Size Adaptable Up to 1-3/8"



DIMENSIONS MAY VARY AND ARE SUBJECT TO CHANGE. NO RESPONSIBILITY IS ASSUMED FOR USE OF SUPERCEDED OR VOIDED DATA



AVAILABLE IN 30 FINISHES + 316 SOLID STAINLESS STEEL

Antique Brass - AB
Antique Bronze - ABZ
Antique Copper - AC
American Bronze - AMB
Antique Pewter - AP
Gloss Black - GB
Black Nickel - BLN
Black-Oil Rubbed Bronze - ORB
Caribbean Bronze - CB
Chocolate Bronze - CHB
Chrome - CH

Classic Bronze - CLZ
Distressed Antique Brass - DAB
Distressed Antique Copper - DAC
Distressed American Bronze - DAMB
Distressed Antique Pewter - DAP
Matte Black - MB
Polished Brass - PB
Polished Copper - PC
Polished Gold - PG
Polished Nickel - PN
Satin Brass - SB

Satin Chrome - SC
Satin Gold - SG
Satin Nickel - SN
Stainless Steel - SS*
Tuscan Brass - TB
Unlaquered Polished Brass - UPB
Venetian Bronze - VB
Weathered Brass - WB
Weathered Copper - WC