

HAMPTON BAR FAUCET SPECS - LEVER HANDLES



Product Description

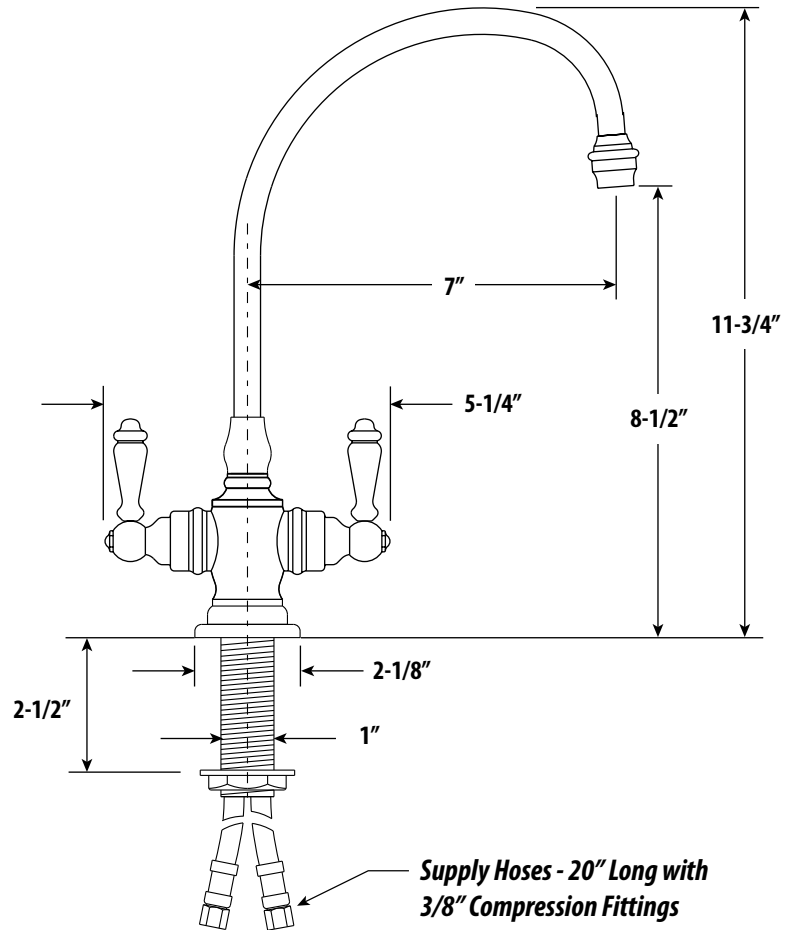
- Solid brass construction.
- 1/4 turn ceramic disk valve cartridges.
- Lever handles.
- 1.7 gpm maximum flow rate.
- 360 degree swivel spout.
- Reinforced braided connection hoses.

Codes/Standards Applicable

Specified model meets or exceeds the following:

- ASME A112.18.1
- CSA B125.1
- NSF 61
- CALGreen
- ADA Compliant

- Max Counter Thickness 2-1/2"
- Recommended Install Hole Size 1-3/8"



DIMENSIONS MAY VARY AND ARE SUBJECT TO CHANGE. NO RESPONSIBILITY IS ASSUMED FOR USE OF SUPERCEDED OR VOIDED DATA

Finishes Available

FINISHES AVAILABLE:

- Almond - 01
- Antique Brass - AB
- Antique Bronze - ABZ
- Antique Copper - AC
- American Bronze - AMB
- Antique Pewter - AP
- Black - 06
- Black Nickel - BLN
- Black-Oil Rubbed Bronze - ORB
- Biscuit - 07
- Caribbean Bronze - CB
- Chocolate Bronze - CHB
- Chrome - CH

- Distressed Antique Brass - DAB
- Distressed Antique Copper - DAC
- Distressed American Bronze - DAMB
- Distressed Antique Pewter - DAP
- Euro-White - EW
- Matte Black - MB
- Polished Brass - PB

- Polished Copper - PC
- Polished Gold - PG
- Polished Nickel - PN
- Satin Chrome - SC
- Satin Gold - SG
- Satin Nickel - SN
- Stainless Steel - SS*

- Tuscan Brass - TB
- Venetian Bronze - VB
- Weathered Brass - WB
- Weathered Copper - WC
- White - WT

★ **MADE IN AMERICA** ★

41180 Raintree Court • Murrieta, CA 92562 • 1-888-304-0660 • 951-304-0520 • www.waterstoneco.com

*Contemporary Styles Only

REVISED: 4-6-15