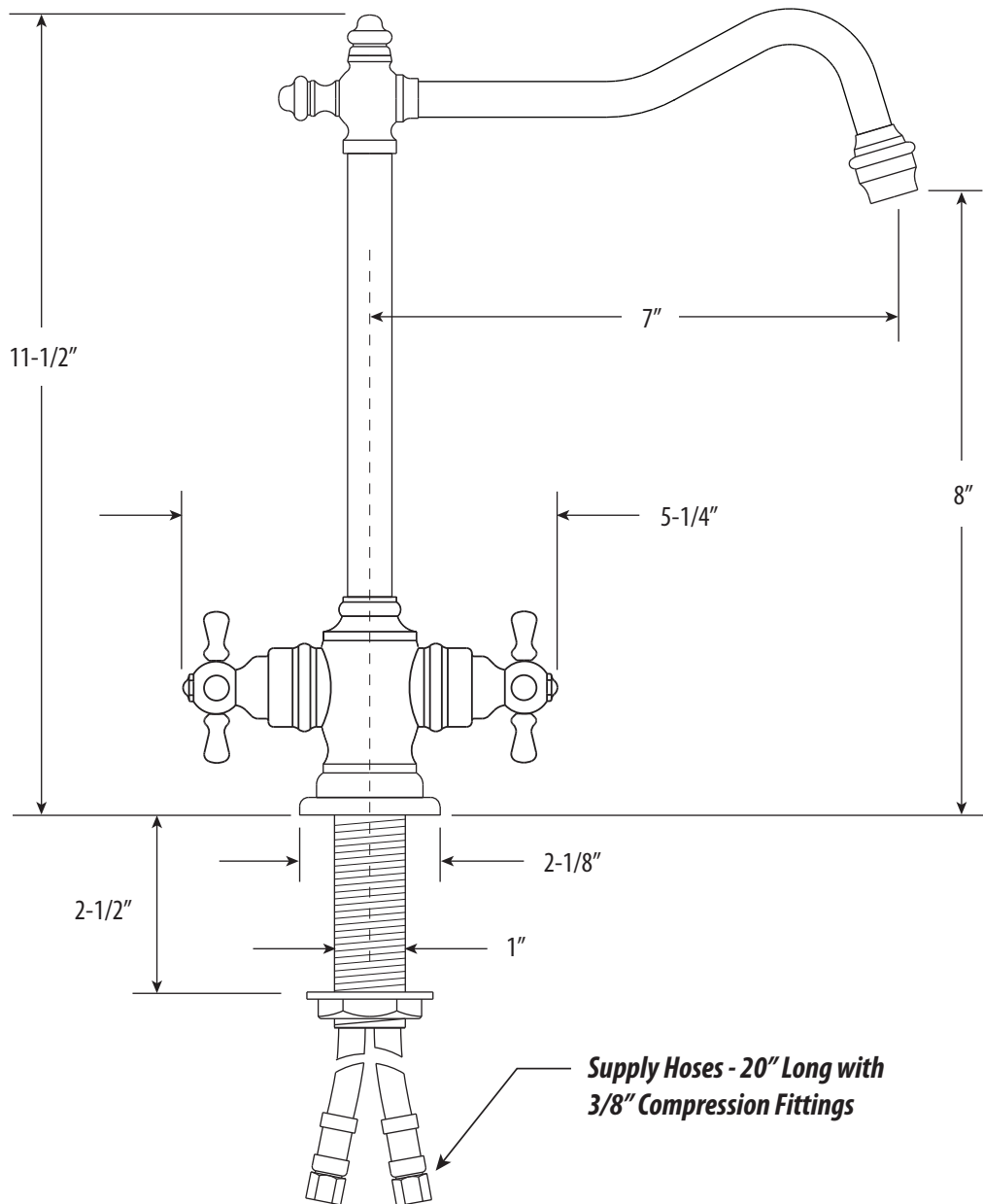


## ANNAPOLIS BAR FAUCET / CROSS HANDLES

# 1350

- Max Counter Thickness 2-1/2"
- Install Hole Size Adaptable Up to 1-3/8"



 **ECO BRASS**  
HIGH PERFORMANCE LEAD FREE BRASS

***DIMENSIONS MAY VARY AND ARE SUBJECT TO CHANGE. NO RESPONSIBILITY IS ASSUMED FOR USE OF SUPERCEDED OR VOIDED DATA***

## ANNAPOLIS BAR FAUCET / CROSS HANDLES

# 1350



Finish Shown - Antique Pewter

### FEATURES

- Perfect for wet bars, kitchen islands and entertainment areas.
- Part of the traditional Annapolis Suite.
- Hook spout has 7" reach and can swivel 360 degrees.
- 1.7 gpm maximum flow rate with aerated tip.
- 1/4 turn ceramic disk valve cartridges.
- Ergonomic dual cross handles.
- Resistant to reverse osmosis water.
- Made from eco-friendly solid brass.
- Removable aerator tip for easy cleaning.
- 3/8" compression connections.
- Reinforced braided connection hoses.
- Lifetime functional warranty.

### CODES/STANDARDS APPLICABLE

Specified model meets or exceeds the following:

- **ASME A112.18.1**
- **CSA B125.1**
- **NSF 61, 372**
- **CALGreen**



AVAILABLE IN 32 FINISHES + SOLID 316 MARINE GRADE STAINLESS STEEL