

WATERMARK

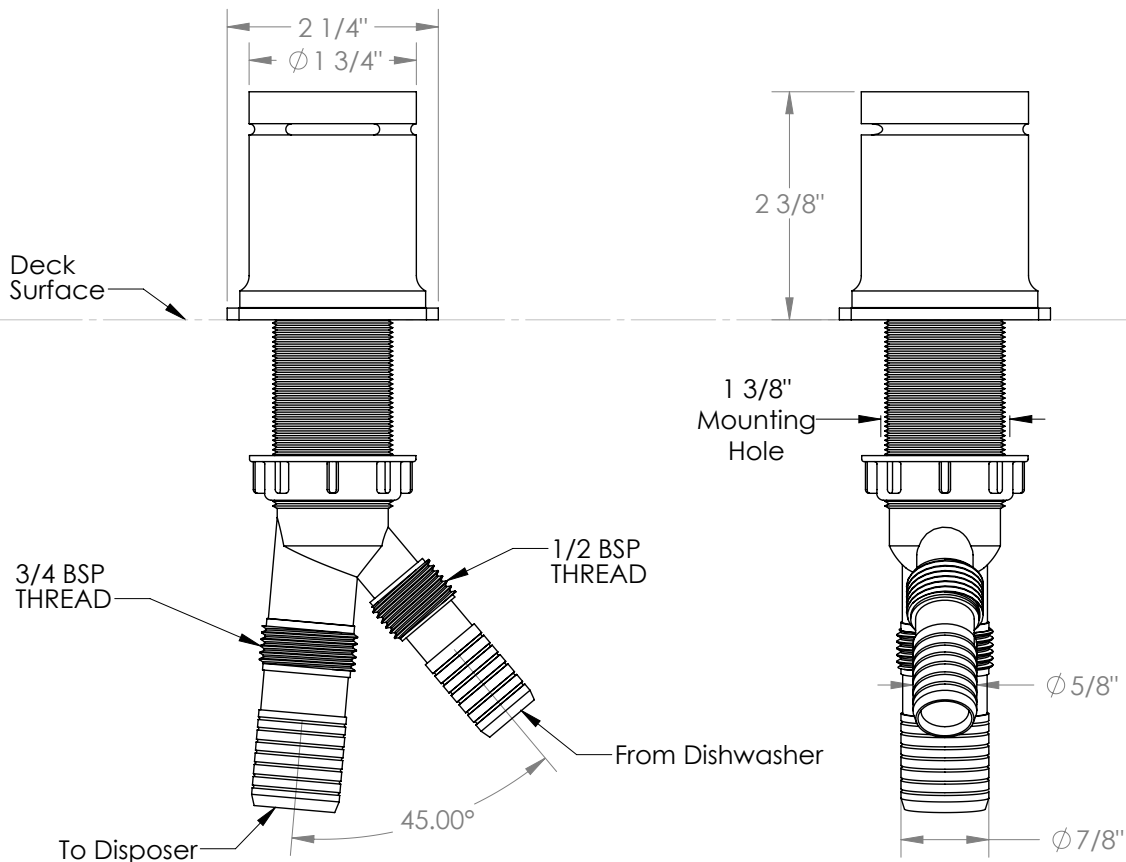
BROOKLYN, NEW YORK

H-Line
MAG115
H-Line Air Gap



- Fits Deck Up To 1-1/2" Thick
- Recommended Mounting Hole: 1-3/8"
- 3/4 BSP Thread Connection To Disposer
- 1/2 BSP Thread From Dishwasher
- Professional Installation Required

Available in all finishes shown on the [Watermark Designs website](#)



Meets the applicable requirements of ASME A112.18.1-2005/CSA B125.1-05, entitled "Plumbing Supply Fittings".

Watermark Designs reserves the right to make revisions without notice to produce specifications. All product dimensions are nominal.

09/2023

350 Dewitt Ave. Brooklyn, NY 11207 USA | T: 1 718 257 2800 | F: 1 718 257 2144 | customerservice@watermark-designs.com