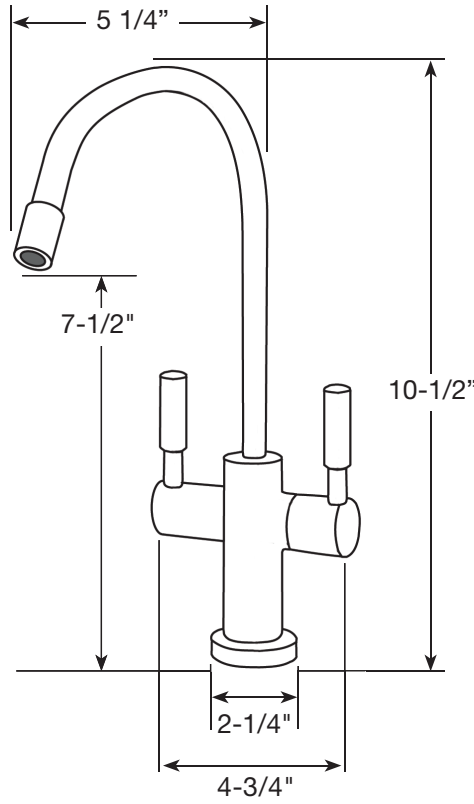


MODEL	DESCRIPTION	FINISH	PART #	LIST PRICE
ENDURING II SERIES LVH1310	Enduring II Lead Free Accessory Faucet for Filter Shipping Wt: 12 lbs.	FAUCET & EVERHOT TANK		
		CHROME	WI-LVH1310HC-CH	\$941.95
HOT/COLD	Includes faucet, Everhot tank, 3' cord and tubing. Enduring II design • adjustable flow control with a quarter turn ceramic disc valve for filling pitchers and pots • swivel spout • built-in aerator Certified to NSF/ANSI Standard 61 and California Proposition 65. Chiller sold separately (see EverCold, page 78).	FAUCET ONLY		
		SPECIAL SATIN NICKEL	WI-LVH1310HC-SN	\$980.95
FAUCET ONLY	Shipping Wt: 5 lbs.	CHROME	WI-FA1310HC-CH	\$620.95
		SPECIAL SATIN NICKEL	WI-FA1310HC-SN	\$659.95

Dimensions:
 Height: 10-1/2"
 Reach: 5-1/4"
 Spout Diameter: 1/2"
 Hole Size Required: 1-1/4"



A separate air gap is available for reverse osmosis on this model. See pages 79 and 80.

UPGRADE SYSTEM TO A STAINLESS STEEL TANK FOR \$100.
 Add **-SS** to end of part number
 (see pg. 76 for tank specs)



Meets no lead standards for CA AB 1953 and VT Act 193.

The Everhot mark is used under license from Bradford White Corp.



MAXIMUM recommended line pressure for this product is 75 PSI. Pressure above 75 PSI indicates the absence of a properly functioning water pressure regulator at the property. Excessive water pressure poses a risk of property damage to you. Problems due to excessive water pressure are NOT covered by this product's warranty. **BEFORE** installation of any Water, Inc. product, confirm that water supply pressure does not exceed 75 PSI. Questions? Contact Water, Inc. Service Depart. at 800.322.WATER(9283)