

MODEL RS 420 60 40 R

UNDERMOUNT TYPE

GENERAL

Fine quality sink bowls formed of 18 gauge BA 304 18/10 nickel bearing stainless steel.

DESIGN FEATURES

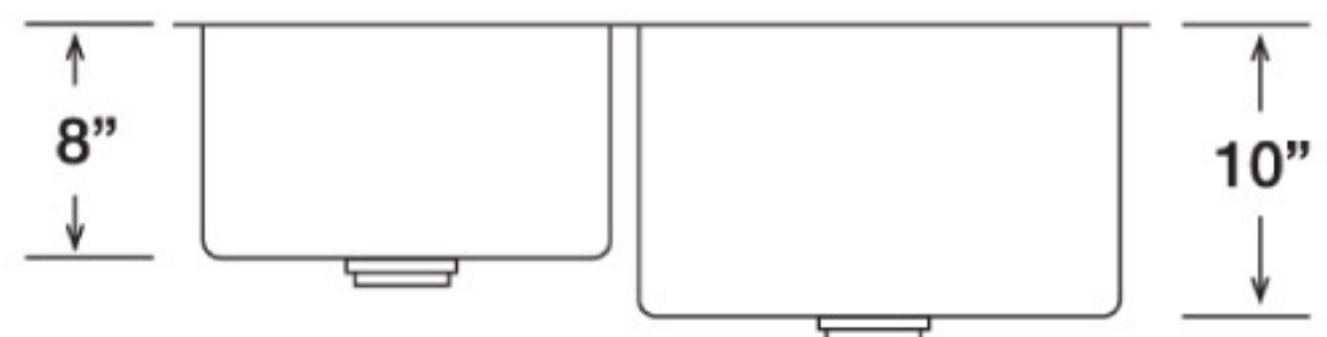
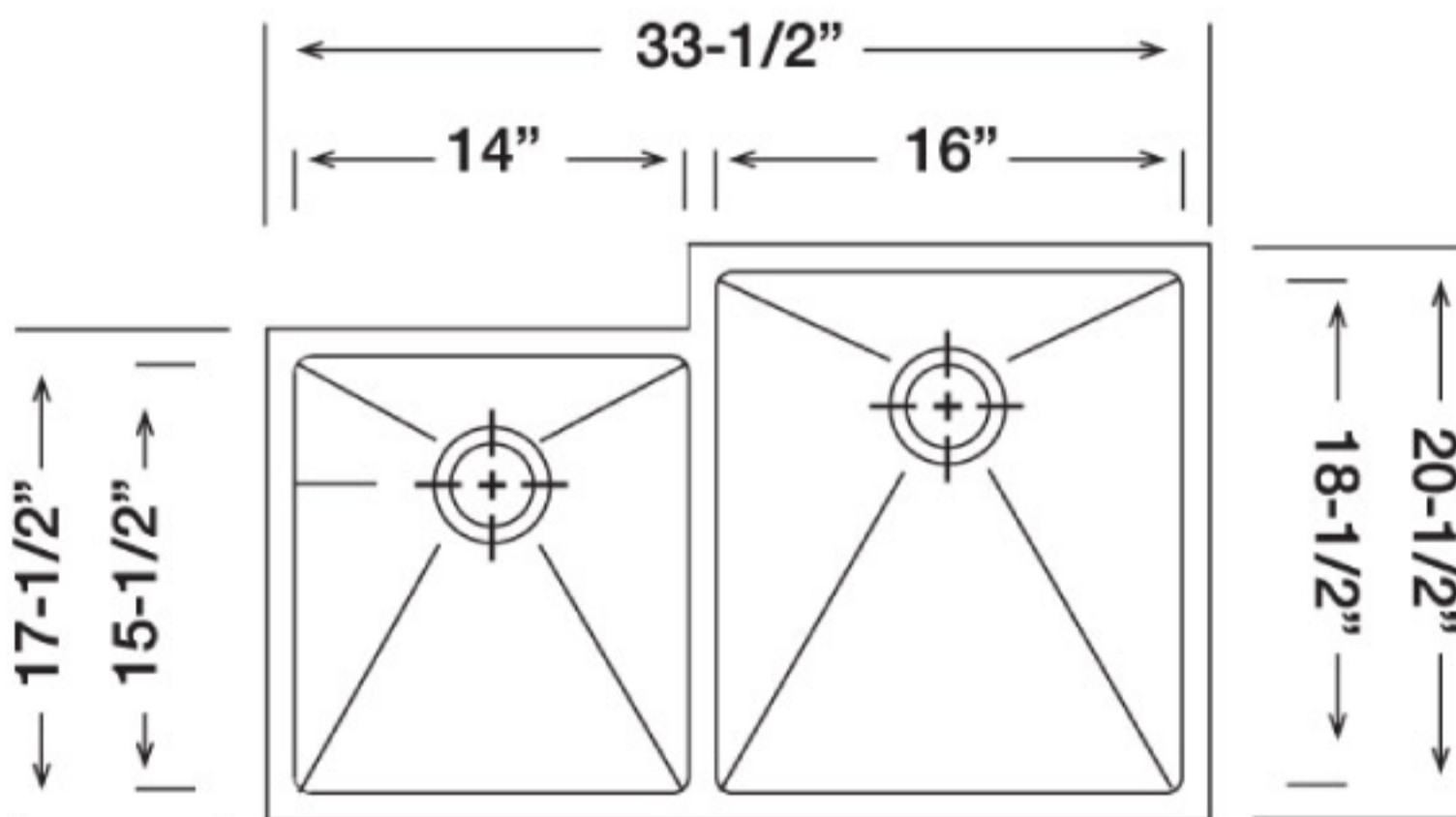
Bowl Depth : 8" large bowl 10" small bowl'
 Coved Corners : Approximately 5/8"
 Finish : Soft Satin Finish
 Underside : Sound absorbing pads and special paint applied to dampen sound
 Drain Opening : 3-1/2" - 3-1/2"



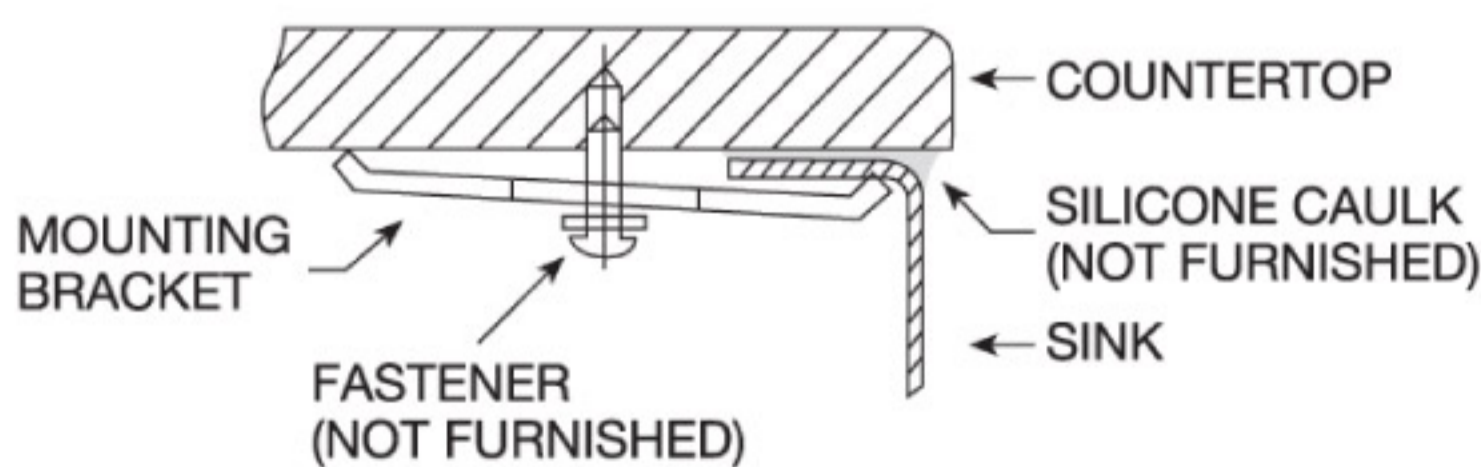
OPTIONAL ACCESSORIES

Stainless Steel Bottom Grid
 Hardwood Cutting Board

SINK DIMENSIONS (INCHES)



INSTALLATION PROFILE*



*Template and countertop mounting clips are packed with every sink



These sinks comply with ASME A112.19.3
 These sinks are listed by the International Association of Plumbing and Mechanical Officials as meeting the requirements of the Uniform Plumbing Code.

Ukinox reserves the right to change product specifications without notice.

Printed in USA © 2011 Ukinox

MODEL RS 420 60 40 L

UNDERMOUNT TYPE

GENERAL

Fine quality sink bowls formed of 18 gauge BA 304 18/10 nickel bearing stainless steel.

DESIGN FEATURES

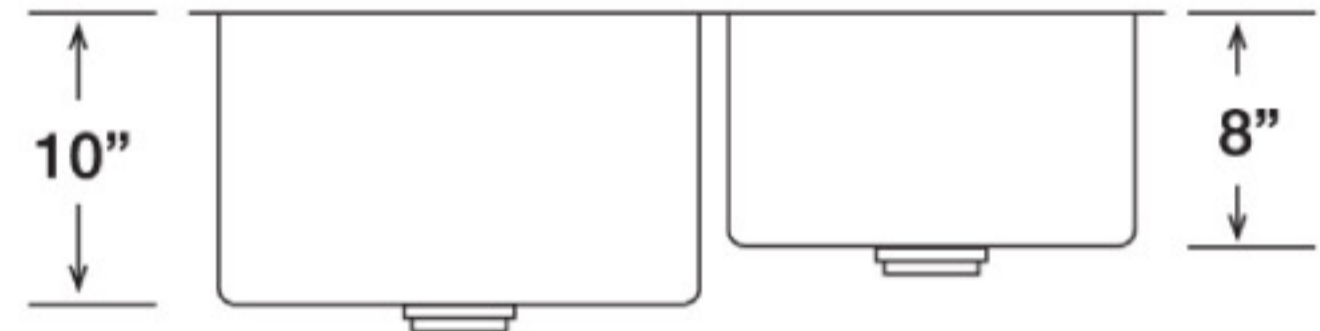
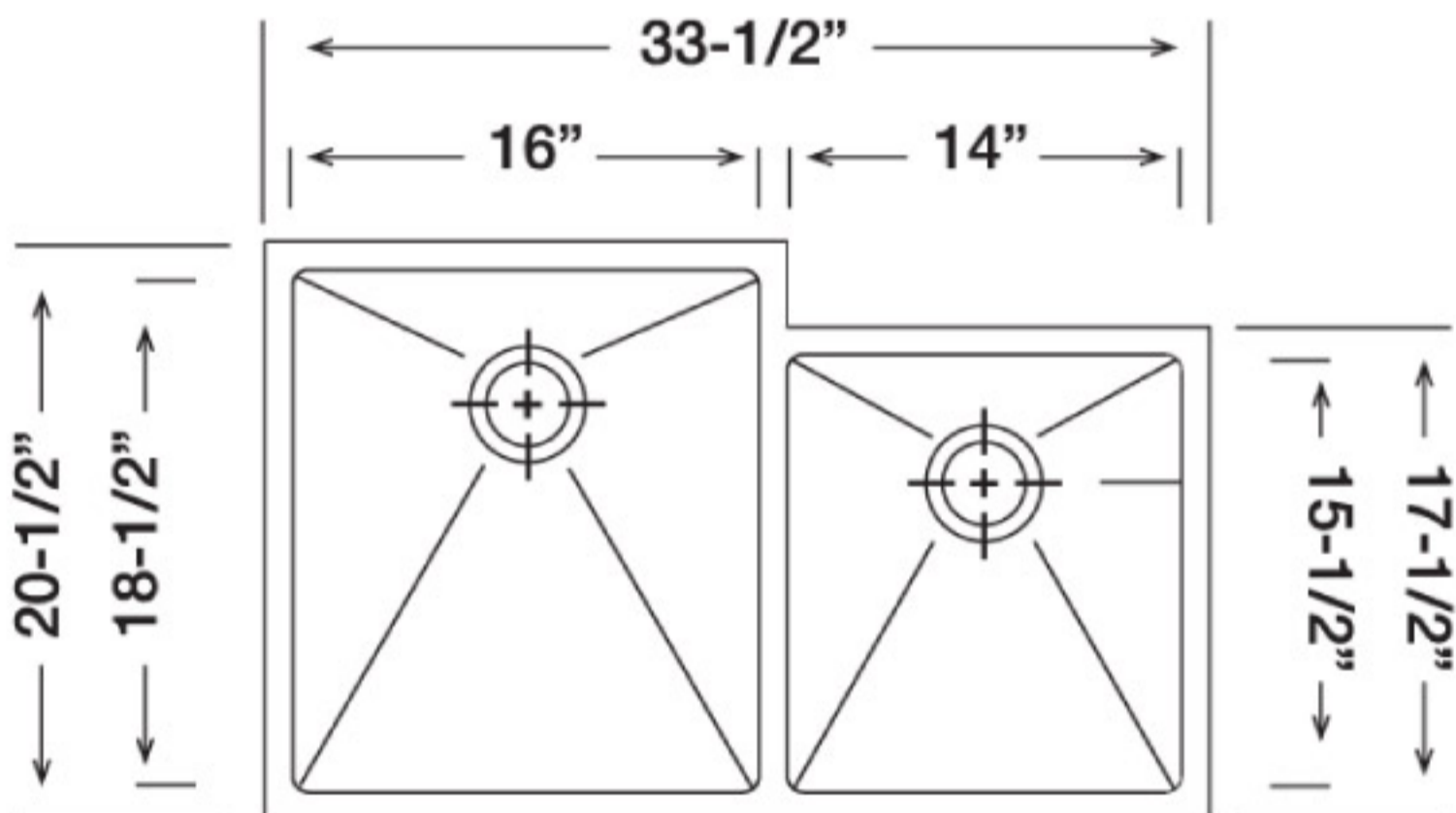
Bowl Depth : 10" large bowl 8" small bowl'
 Coved Corners : Approximately 5/8"
 Finish : Soft Satin Finish
 Underside : Sound absorbing pads and special paint applied to dampen sound
 Drain Opening : 3-1/2" - 3-1/2"



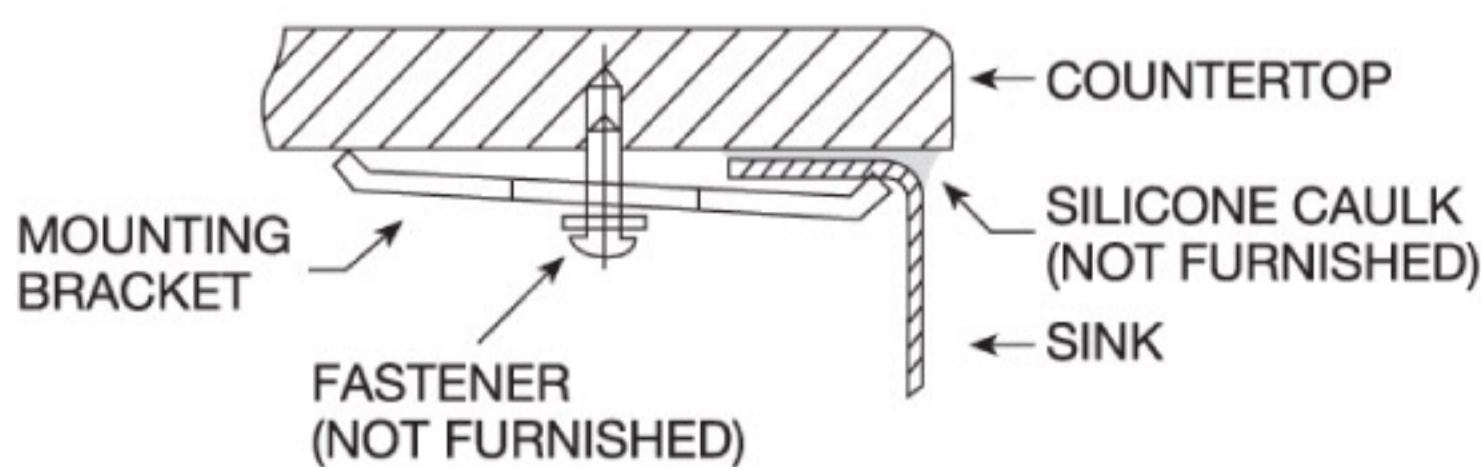
OPTIONAL ACCESSORIES

Stainless Steel Bottom Grid
 Hardwood Cutting Board

SINK DIMENSIONS (INCHES)



INSTALLATION PROFILE*



*Template and countertop mounting clips are packed with every sink



These sinks comply with ASME A112.19.3
 These sinks are listed by the International Association of Plumbing and Mechanical Officials as meeting the requirements of the Uniform Plumbing Code.

Ukinox reserves the right to change product specifications without notice.

Printed in USA © 2011 Ukinox